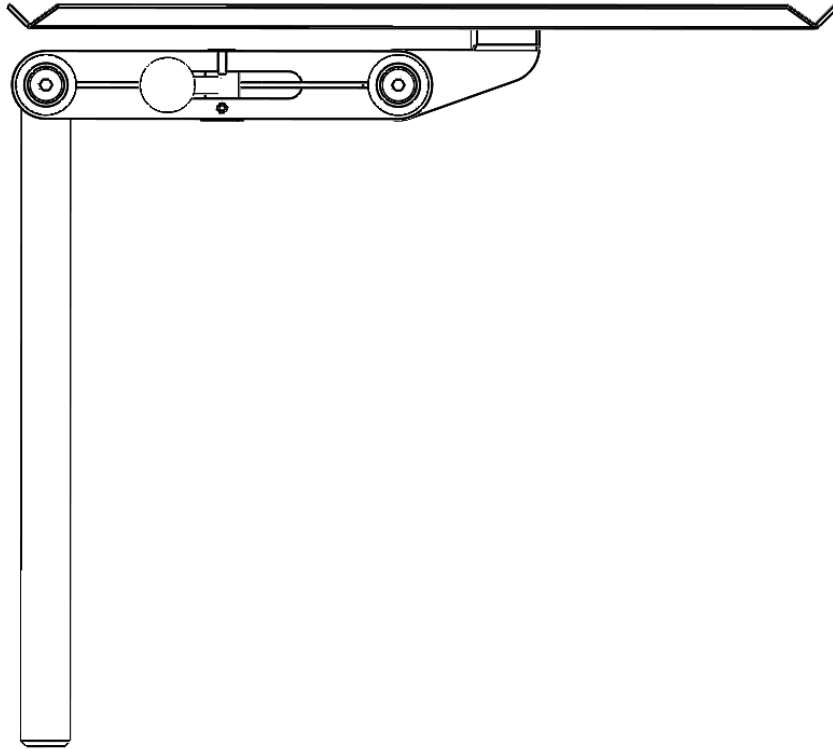


## Instrument table 10-065



Warning! This symbol indicates important information related to safety. Follow these instructions carefully.



Read User Manual before use! It is important to fully understand the content of the user manual before attempting to use the equipment.

CE

2025-03-19

Document number: M10-065EN rev.01

## Intended use

---

Instrument table for placement of surgical instruments and equipment used during surgery. The product is to be used by medical professionals within a medical facility.



## Safety regulations

---

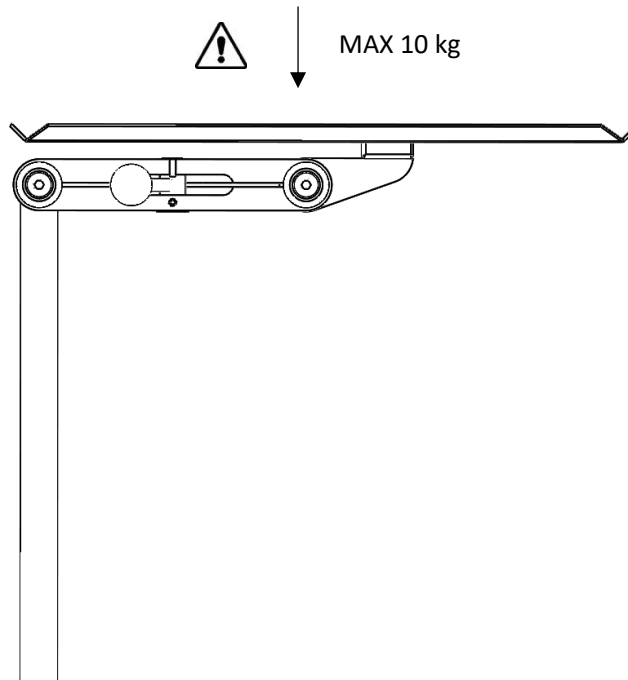
Maximum load: 10 kg in even distribution, according to EN 60601-1 and EN 60601-2.

Before use, ensure correct function!

When loosening the lock lever to adjust the height, support underneath the instrument table, to prevent it from uncontrolled descend into the bottom position.

When loosening the lock to adjust the angle of the table, support underneath the instrument table, to prevent it from uncontrolled falling.

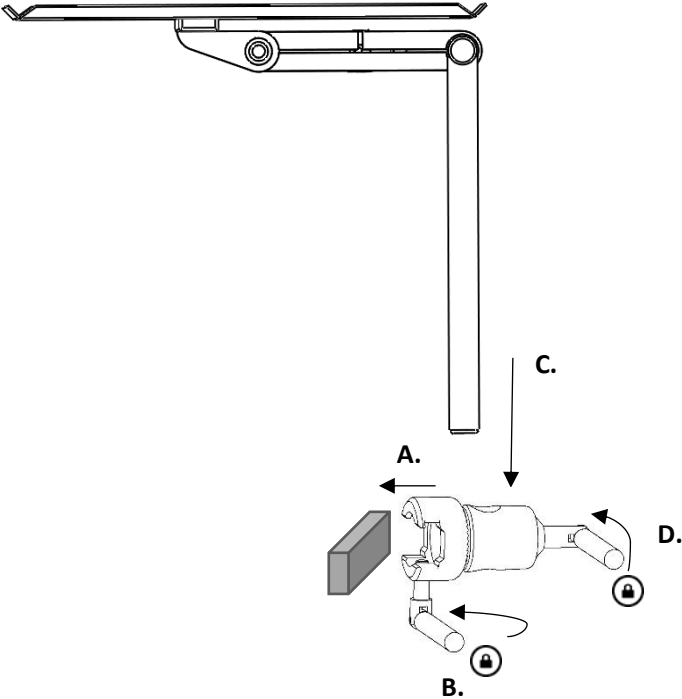
Service and preventive maintenance shall be performed by authorized personnel.



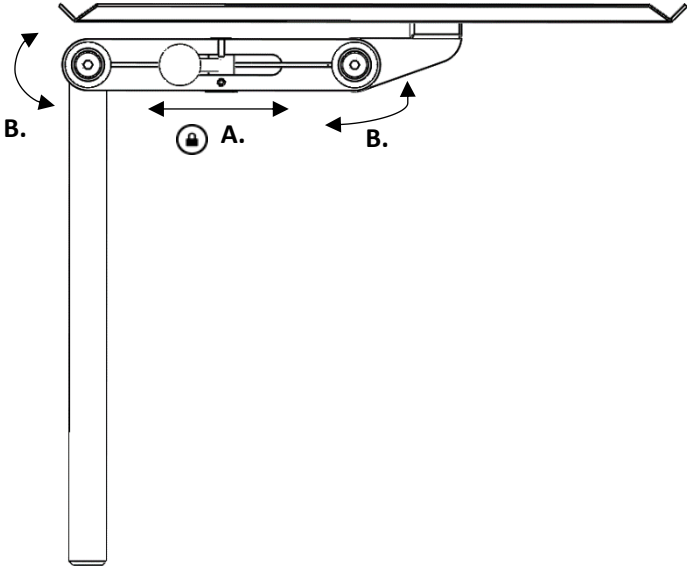
# User instructions

---

## Installation



## Position adjustment

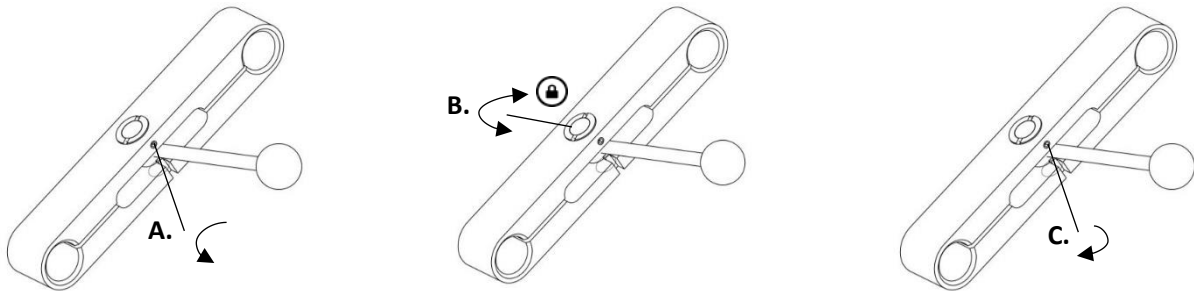


## Maintenance



Service, preventive maintenance, adjustment and repair shall be performed by authorized personnel only. Altering the construction without a written consent from the manufacturer, is strictly forbidden.

### Adjusting the lock mechanism



Tool: 2 mm hex key.

### Cleaning

Clean with antiseptic detergent with pH 6 – 8 and warm water. Ethanol can be used. Wipe dry with soft cloth. Do not use strong acidic or alkaline detergent.

### Control

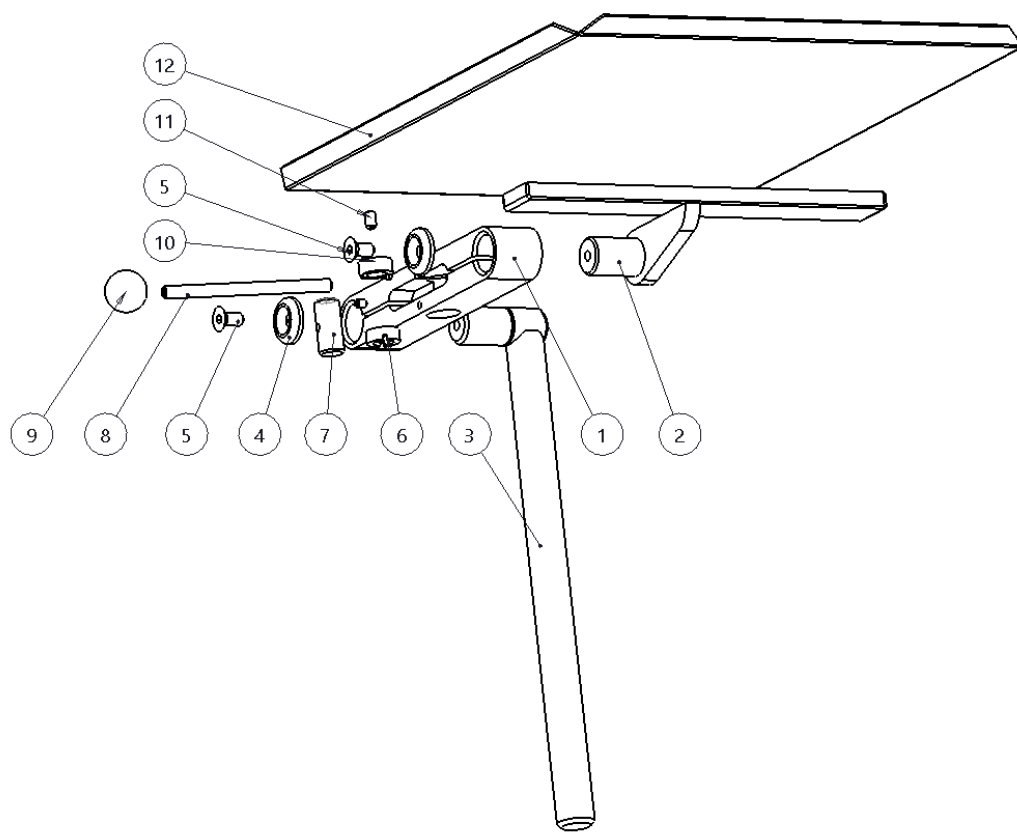
Check that there is no damage to any part of the Instrument table. Check the lock function in the joint.

### Annual service

Once a year the instrument table shall be carefully cleaned, moving parts shall be lubricated, the locking function shall be tested and, if necessary, be adjusted.

## Spare parts

---



No.	Description	Pcs.	Article no.
1.	Pivot holder	1	10300
2.	Support plate	1	12313
3.	Post	1	12325
4.	Washer	2	10004
5.	Screw MF6S M6x12 A2	2	-
6.	Adjustment nut	1	10302
7.	Locking screw	1	10303
8.	Lock lever	1	10304
9.	Ball	1	K20M6S
10.	Nut left threaded	1	10301
11.	Set screw MSK6SS M4x5 A2	1	-
12.	Table plate	1	12311

## Technical specification

---

Maximum work load	10 kg in even distribution, according to EN 60601-1 and EN 60601-2
Weight	2,5 kg
Material	Stainless steel
Dimension (H x W x L)	275 x 260 x 310 mm
UDI-DI	07350111830335



Reison Medical AB  
Eriksbergsvägen 32A  
734 92 Hallstahammar  
SWEDEN

+46 (0)220 433 99 | [order@reison.se](mailto:order@reison.se) | [info@reison.se](mailto:info@reison.se)