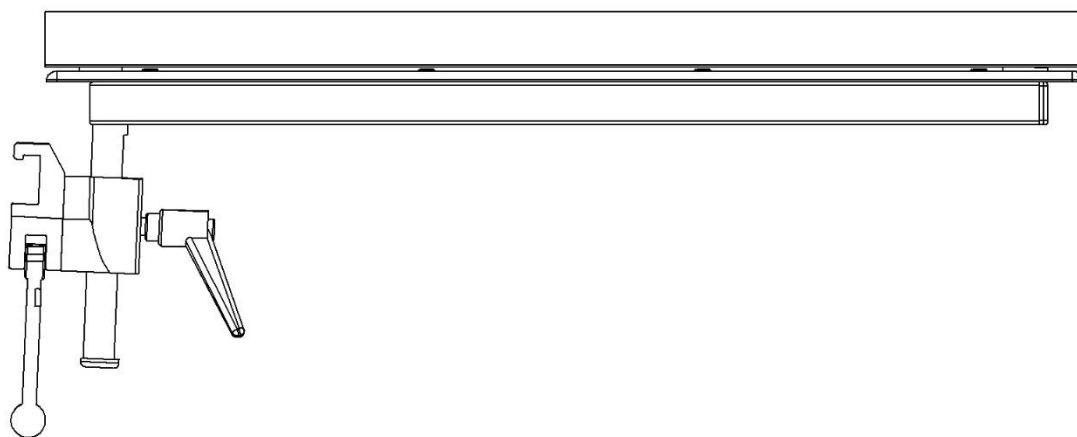


Arm surgery table 10-390-K including versions



Version	Description
10-390-K	Clamp (EU 25x10 mm rail)
10-390-KL	Clamp (EU 25x10 mm rail), long pole
10-390-K-US	Clamp (US 1½" x ¾" rail)
10-390-UK-K	Clamp (UK 1¼" x ¼" rail)



Warning! This symbol indicates important information related to safety. Follow these instructions carefully.



Read User Manual before use! It is important to fully understand the content of the user manual before attempting to use the equipment.

CE

2020-10-30

Document number: M10-390-KEN rev.01

Intended use

Arm surgery table for placement of patient arm during surgical treatment of arm and hand. The product is to be used by medical professionals within a medical facility.



Safety regulation

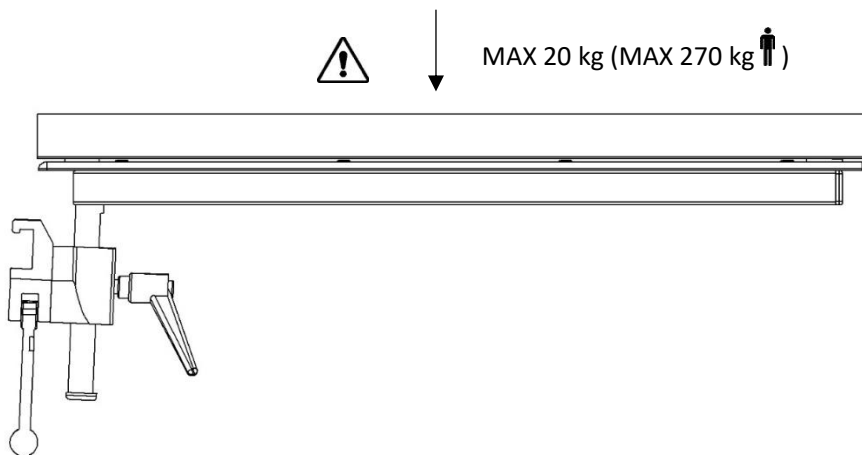
Maximum load: 20 kg in even distribution, corresponding to a patient weight of 270 kg, according to EN 60601-1 and EN 60601-2.

Before use, ensure correct function!

When loosening the lock lever to adjust the height, support underneath the arm table, to prevent it from uncontrolled descend into the bottom position.

Remove the arm surgery table during transport!

Service and preventive maintenance shall be performed by authorized personnel.



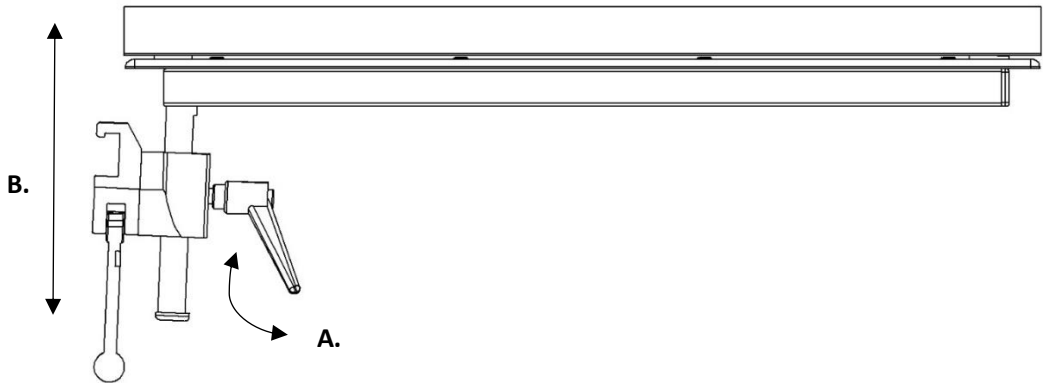
User instruction

Installation

1.



2.



Maintenance

Service, preventive maintenance, adjustment and repair shall be performed by authorized personnel only. Altering the construction without a written consent from the manufacturer, is strictly forbidden.

Cleaning

Clean with antiseptic detergent with pH 6 – 8 and warm water. Ethanol can be used on metal surfaces. Wipe dry with soft cloth. Do not use strong acidic or alkaline detergent.

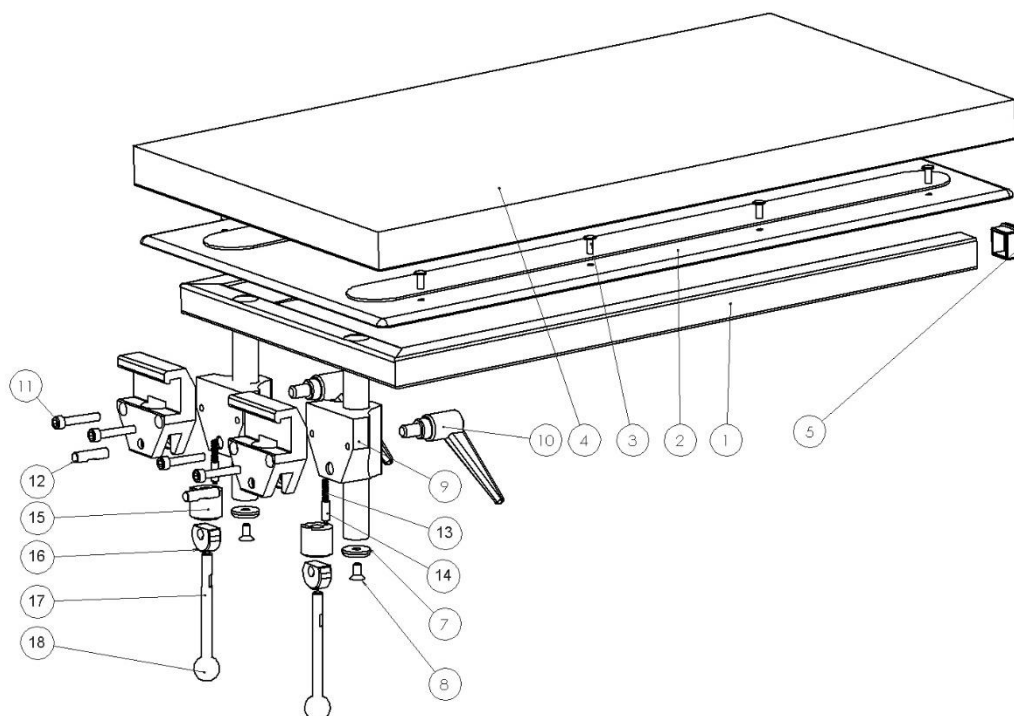
Control

Check that there are no loose parts and that there is no damage to any part. The lock function is checked by locking and unlocking the top in different positions. If a cushion is used check that it is clean and is not damaged.

Annual service

Once a year the arm table shall be carefully cleaned, moving parts shall be lubricated, the locking function shall be tested.

Spare parts



Description	Version:		
	Pcs.	10-390-K Article no.	10-390-KL Article no.
1. Frame	1	10549	12087
2. Plate	1	10556	10556
3. Blind rivet AS 4,8x12-F	8	-	-
4. Mattress	1	10553	10553
5. Plastic plug IFR 25x25x1,5	2	-	-
6. Clamp body	2	EU: 10031 US: 10547 UK: 10543	EU: 10031
7. Washer	2	10004	10004
8. Screw MF6S M6x12 A2	2	-	-
9. Guide	2	10053	10053
10. Adjustable lock lever	2	6-593-65	6-593-65
11. Screw MC6S M6x35 FZ	4	-	-
12. Shaft	2	10009	10009
13. Spring	2	10013	10013
14. Pressure pin	2	10012	10012
15. Plunger	2	10711	10711
16. Eccentric	2	11165	11165
17. Lock lever	2	10014	10014
18. Ball	2	K20M8S	K20M8S

Technical specification

Maximum work load 20 kg in even distribution, corresponding to a patient weight of 270 kg, according to EN 60601-1 and EN 60601-2

Material arm surgery table Stainless steel
High pressure laminate

Version	UDI-DI	Weight	Dimension (H x W x L)
10-390-K	07350111830731	6,7 kg	200 x 340 x 625 mm
10-390-KL	07350111830748	9,2 kg	350 x 340 x 625 mm
10-390-K-US	07350111830755	6,7 kg	200 x 340 x 625 mm
10-390-UK-K	07350111830786	6,7 kg	200 x 340 x 625 mm



Reison Medical AB

Eriksbergsvägen 32A

734 92 Hallstahammar

SWEDEN

+46 (0)220 433 99 | order@reison.se | info@reison.se