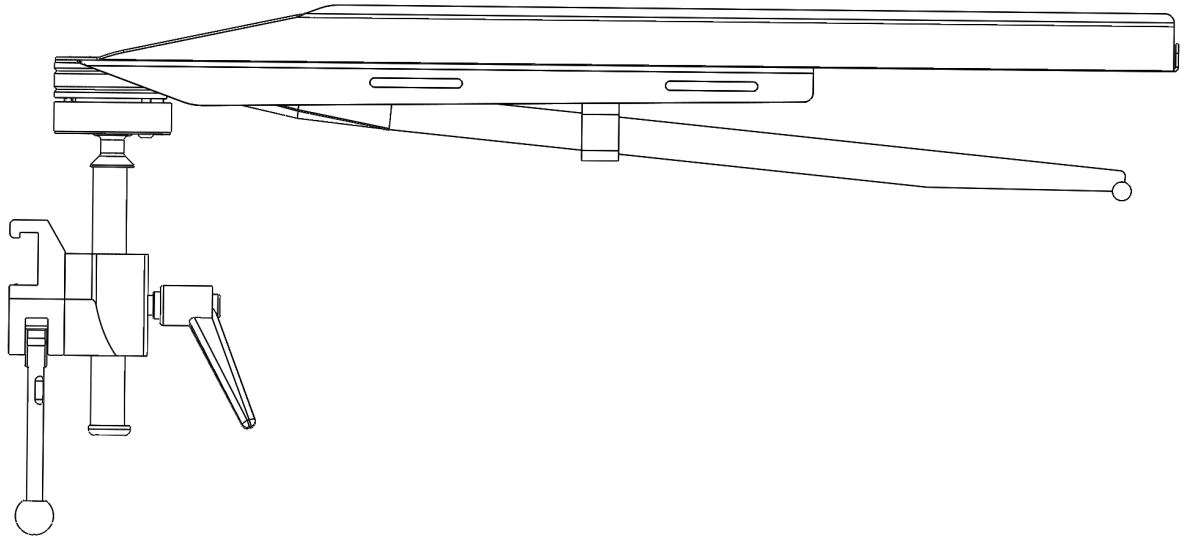


Arm board 10-380-M-N (with flat armrest)



Warning! This symbol indicates particularly important safety information. Follow these instructions carefully.



Read the user manual before using the product! It is important that you fully understand the instructions before use of the equipment.

CE

2023-09-28

Document number: M10-380-M-N SE rev.02

Intended use

Armboard intended for setting up and positioning the patient's arm when, for example, taking medication during surgery. The product is intended for use by professional staff in surgery at healthcare facilities.



Safety regulations

Maximum load: 12 kg evenly spread, corresponding to a patient weight of 200 kg, according to EN 60601-1 and EN 60601-2.

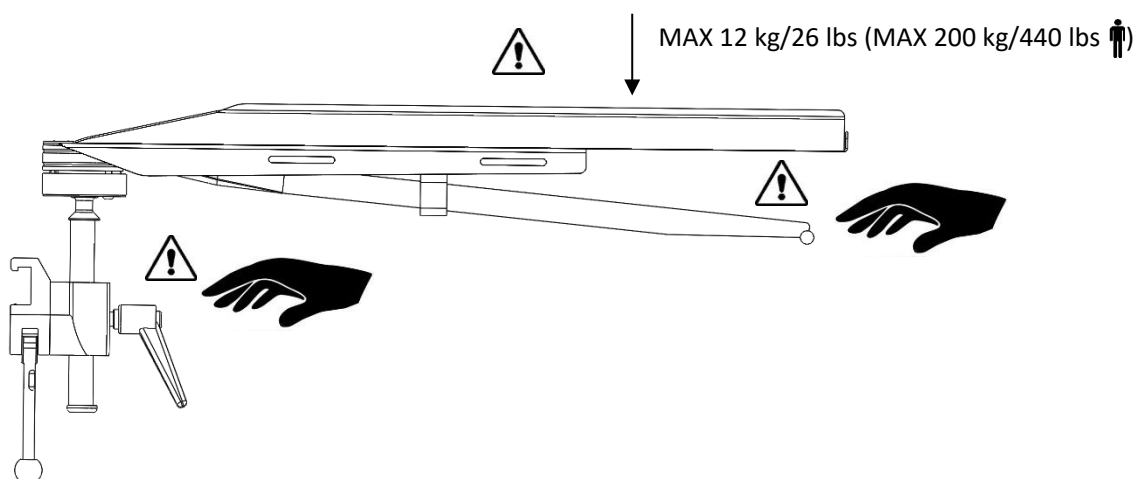
Carry out a function check before each use!

When loosening the locking lever in the claw for height adjustment of the table, the table must be held on the underside to prevent the table from falling uncontrolled towards the bottom position!

When moving mobile operating tables, the arm table is dismantled or folded over the operating table!

If the armrest is to be used for diathermy, the mattress used must be fixed to the armrest's disc with e.g. velcro closure to prevent slipping. The entire armrest including lever arm must be covered with a sterile bag or similar to prevent the patient from coming into contact with metal.

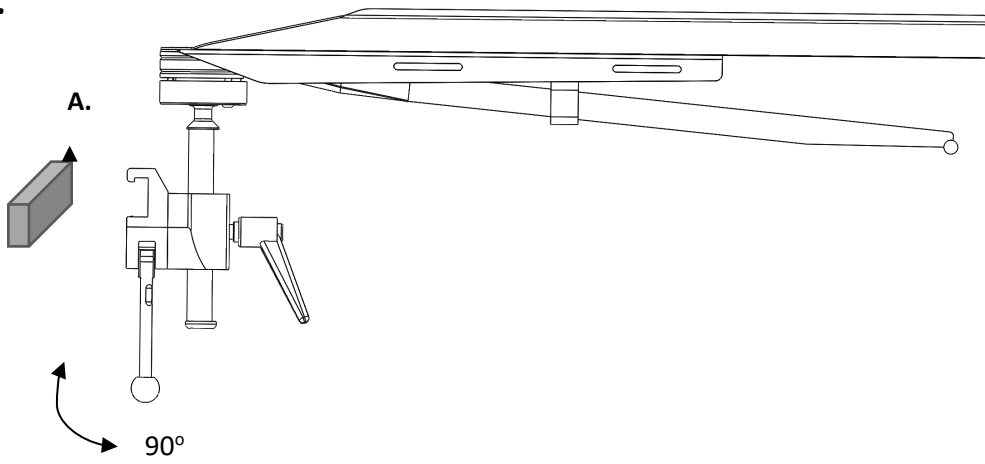
Service and preventive maintenance service must be performed by authorized staff.



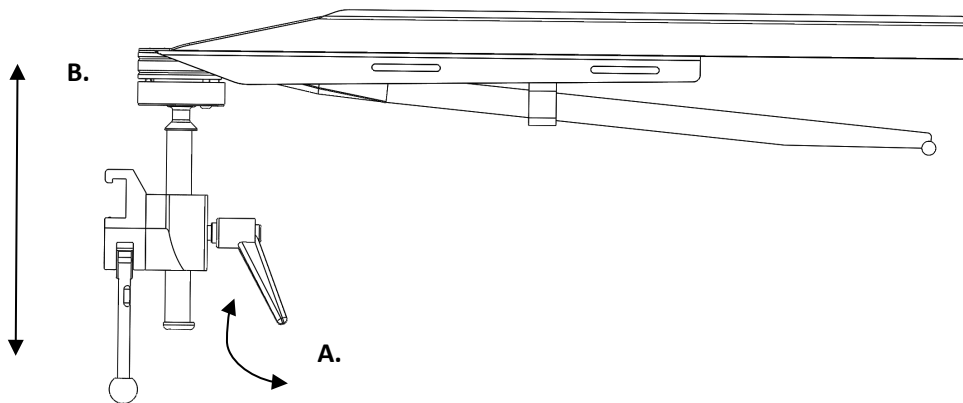
User instruction

Installation

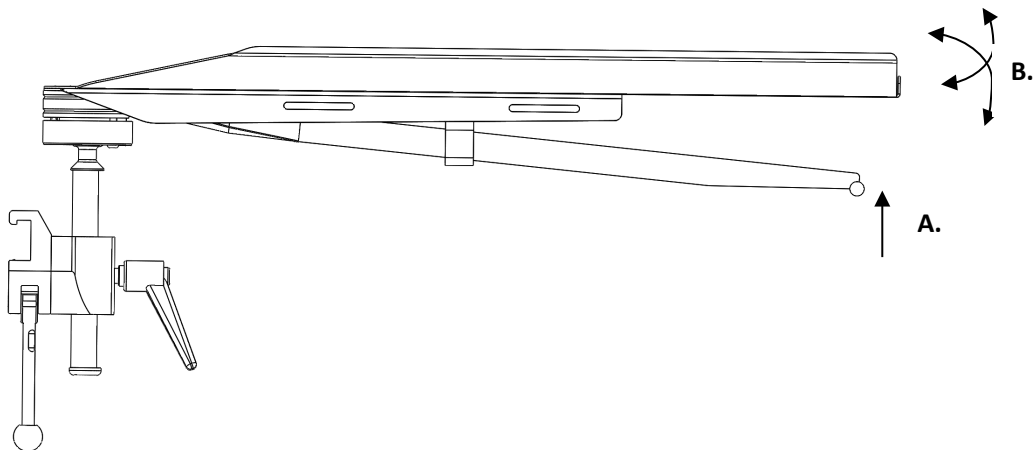
1.



2.



Use



Maintenance



Do not wash in the dishwasher! This destroys the locking mechanism and causes corrosion in the ball joint. For cleaning, see the instructions under the heading "Cleaning" in this user manual.

Service, preventive maintenance, adjustments and repairs may only be carried out by personnel trained for the purpose. Modification of any part of the construction without the written consent of the manufacturer is strictly prohibited. Violation may be punished.

Adjustment of locking mechanism



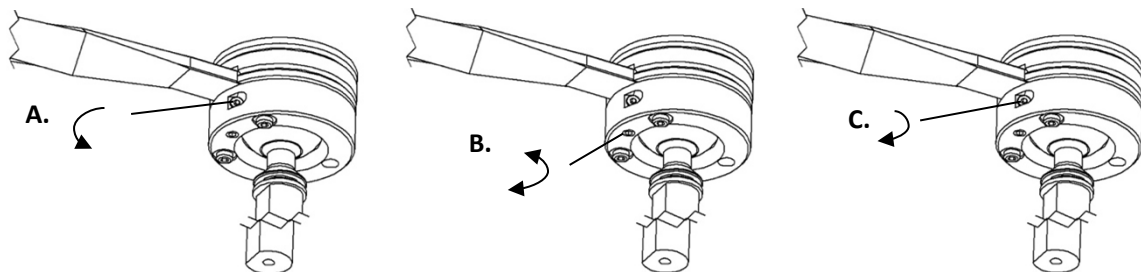
Tools: 3 mm Allen key.

It is enough to turn 1/8-turn at a time to adjust.

Full locking must be obtained when the lever is in the rest position.

Too strong locking force can cause damage in e.g. a collision.

Adjusting the position of the lever



Tools: 3 mm Allen key.

Cleaning

Clean with antiseptic soap detergent with pH 6 - 8 and warm water. Ethanol can be used on metal surfaces. Dry with a soft cloth. Do not use detergents containing strong acids or bases.

Do not wash off the oil film on the joint ball! Do not spray disinfectant into the ball joint. Moisten a wipe with disinfectant or alcohol and wipe dry.

The ball joint is oiled with hydraulic oil ISO VG32 or equivalent.

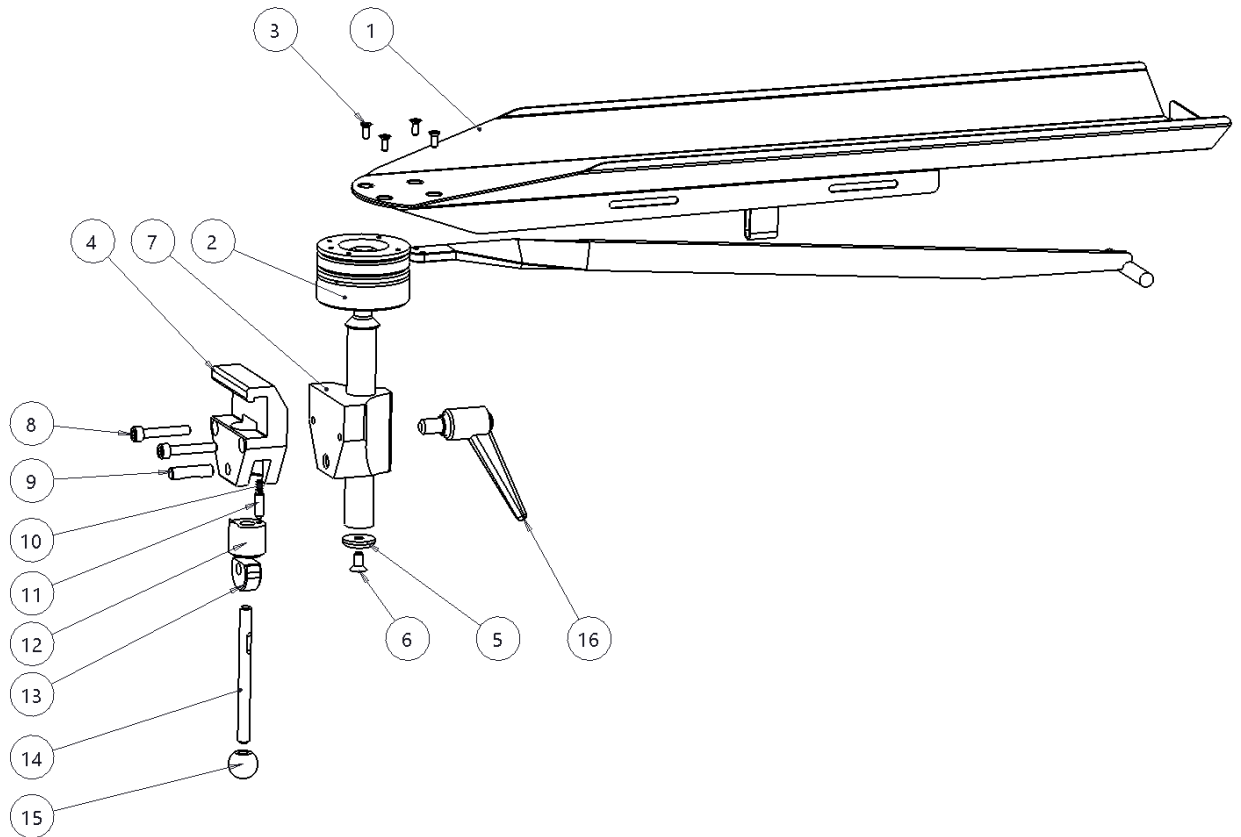
Control

Check that there is no damage to the armrest. Check the function of the claw and the locking on the armrest itself. Check that the armrest's cushion, if any, has no damage where dirt can get stuck and bacteria accumulate, which can cause infection.

Annual service

Every year, the arm table must undergo a thorough cleaning, see above. Moving parts and threads must be lubricated with waterproof grease. The locking functions must be checked and, if necessary, set as above.

Spare parts



10-380-M-N

	Description	Quantity	Part no.
1.	Plate	1	10020
2.	Locking device	1	10021
3.	Screw MFX-Z A4-70 M4x10	4	-
4.	House for clamp	1	EU:10031 US:10547 UK:10543
5.	Tray	1	10004
6.	Screw MF6S M&x12 A2	1	-
7.	Steering	1	10053
8.	Screw MC6S M6x45 FZ	1	-
9.	Axis	1	10009
10.	Compression spring	1	10013
11.	Push pin	1	10012
12.	Spring pack	1	10711
13.	Eccentric	1	11165
14.	Lock lever	1	10014
15.	Ball	1	K20M8S
16.	Adjustable locking lever	1	6-593-65

Accessories

Article no.	Description
10-181	Flat comfort mattress
10-182	Shelled comfort mattress
10-383	Armboard strap
10-383-L	Armboard strap long

Technical specification

Maximum load	12 kg evenly spread, corresponds to a patient weight of 200 kg, according to EN 60601-1 and EN 60601-2
Weight	4,3 kg
Armboard material	Stainless steel

Version	UDI-DI	Dimension (H x B x L)
10-380-M-N	7350111832964	220 x 180 x 670 mm



Reison Medical AB
Eriksbergsvägen 32A
734 92 Hallstahammar
SWEDEN

+46 (0)220 433 99 | order@reison.se | info@reison.se