

Warning! This symbol indicates important information related to safety. Follow these instructions carefully.



Read User Manual before use! It is important to fully understand the content of the user manual before attempting to use the equipment.

**CE**

2021-05-28

Document number: M10-610/611EN rev.01

## Intended use

---

Tube holder intended to be used to collect and arrange tubes and cables during surgery and examination procedures in the OR-theatre. The products are to be used by trained medical personnel.

## Safety regulation

---



Before use, ensure correct function!

### **MAXIMUM LOAD ON FLEXIBLE ARM**

10-610	0,1 kg
10-611	0,2 kg

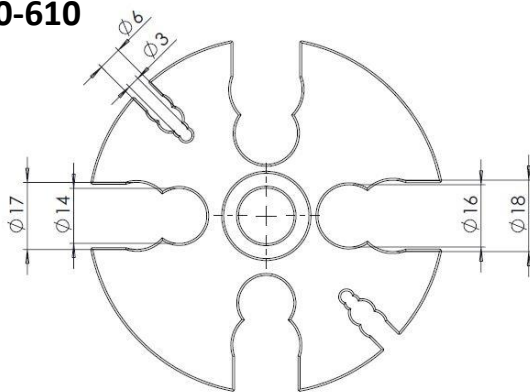
## User instruction

---

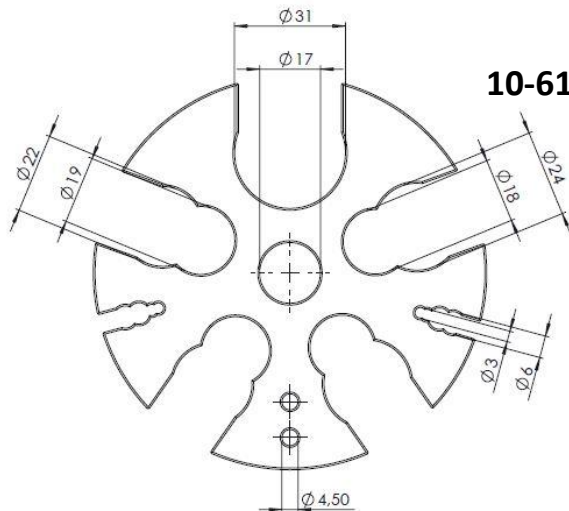
### Installation

The Tube holder is positioned with the flat plate underneath the mattress on the OR-table. The tube holder is kept in place by the patient weight.

**10-610**



**10-611**



### Cleaning

Clean with antiseptic detergent with pH 6 – 8 and warm water. Ethanol can be used. Wipe dry with soft cloth. Do not use strong acidic or alkaline detergent.

## Technical specification

---

Article no.	UDI-DI	Maximum load	Dimension plate (H x W x L)	Length Flex-arm	Weight	Material
10-610	07350111832698	0,1 kg	121 x 80 x 230 mm	30 cm	0,3 kg	PMMA; POM
10-611	07350111832704	0,2 kg	5 x 150 x 380 mm	43 cm	0,5 kg	PMMA; POM

**REISON**  
MEDICAL

Reison Medical AB  
Eriksbergsvägen 32A  
734 92 Hallsthammar  
SWEDEN  
+46 (0)220 433 99 | [order@reison.se](mailto:order@reison.se) | [info@reison.se](mailto:info@reison.se)