

Warning! This symbol indicates important information related to safety. Follow these instructions carefully.



Read User Manual before use! It is important to fully understand the content of the user manual before attempting to use the equipment.

CE

2021-02-15

Document number: M11443-11438EN rev.02

Intended use

Humerus traction set intended for support, stretch and fixation of patient forearm during surgery.
The product is to be used by medical professionals within a medical facility.



Safety regulations

Maximum load: 20 kg, corresponding to a patient weight of 200 kg, according to EN 60601-1 and EN 60601-2. Force in the traction direction must not exceed 50 kg.

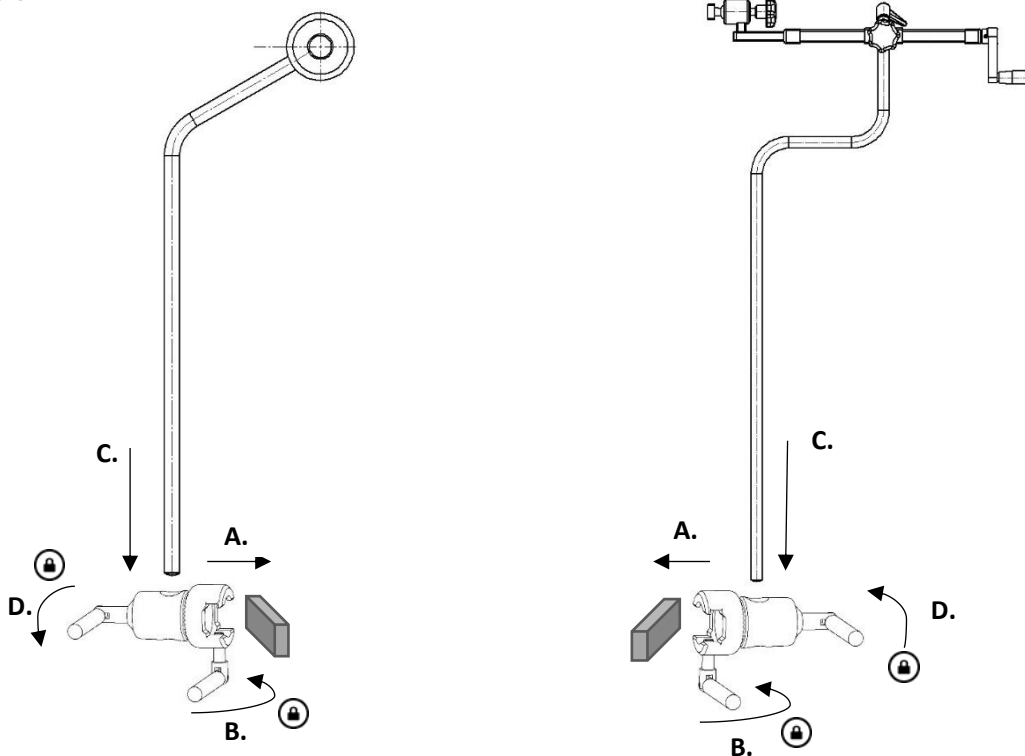
Before use, ensure correct function!

When loosening the lock lever to adjust the height, support underneath to prevent it from uncontrolled descend into the bottom position.

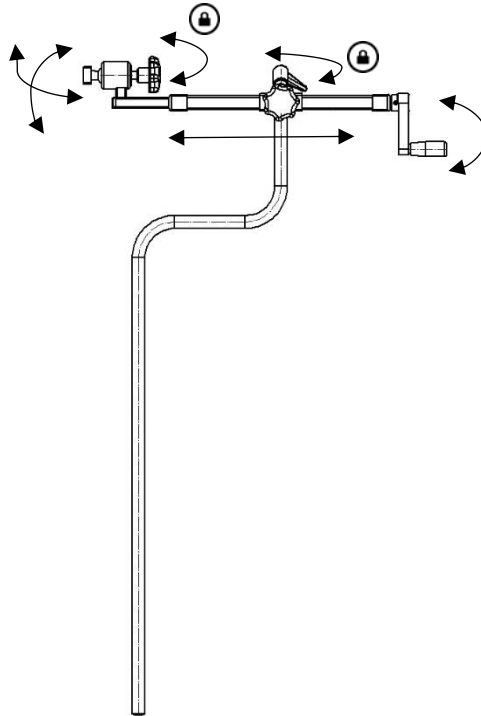
Service and preventive maintenance shall be performed by authorized personnel.

User instruction

Installation



Position adjustment



Maintenance

Service, preventive maintenance, adjustment and repair shall be performed by authorized personnel only. Altering the construction without a written consent from the manufacturer, is strictly forbidden.

Cleaning

Clean with antiseptic detergent with pH 6 – 8 and warm water. Ethanol can be used on metal surfaces. Wipe dry with soft cloth. Do not use strong acidic or alkaline detergent.

Control

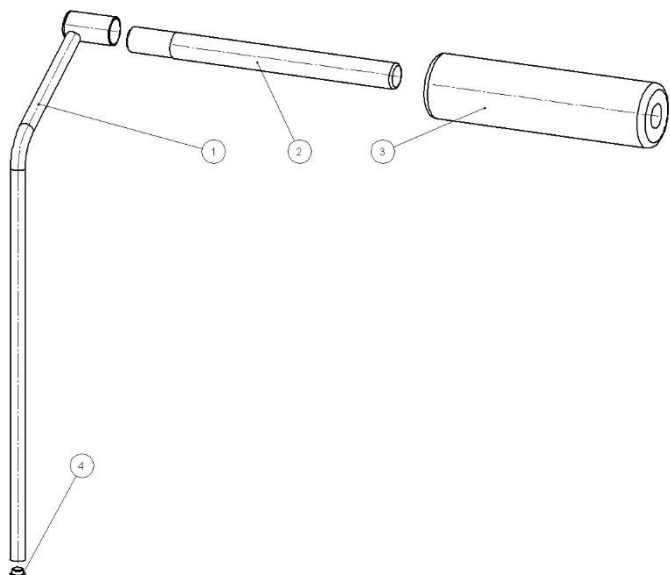
Check that there are no loose parts and that there is no damage to any part. Check the adjustment and locking function.

Annual service

Once a year the device shall be carefully cleaned, threading and moving parts shall be lubricated, the locking function shall be tested.

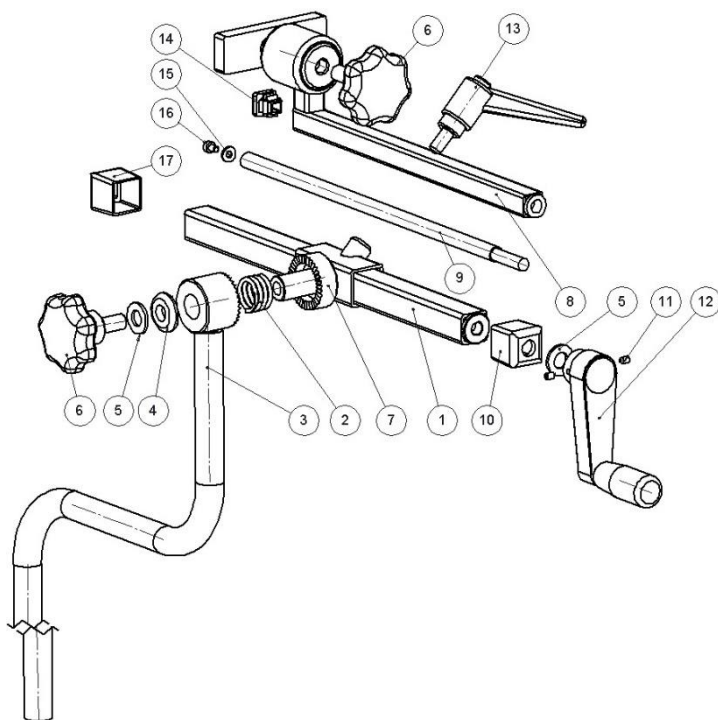
Spare parts

11438



No.	Description	Pcs	Article no.
1.	Post	1	11489
2.	Wooden bar	1	11485
3.	Pad	1	11435
4.	Plastic plug IKP 3531-32 S	1	-

11443



No.	Description	Pcs	Article no.
1.	Outer tube	1	10294
2.	Spring	1	1602
3.	Post	1	11441
4.	Washer	1	11265
5.	Washer BRB 10,5x20x2	2	-
6.	Knob VCT.53 p-M10x20 soft	2	-
7.	Guide	1	11516
8.	Pull bar	1	10292
9.	Adjustment screw	1	10289
10.	Cover plug	1	10298
11.	Set screw MSK6SS M4x6	2	-
12.	Crank WN 570 C 65x8	1	-
13.	Lock handle GN 300 78 S	1	-
14.	Plastic plug IFR 1515-1,5 S	1	-
15.	Washer BRB 4,4x10x1 A2	1	-
16.	Screw MC6S M4x6 A2	1	-
17.	Cover plug	1	11226

Technical specification

Weight	6 kg
Dimension (H x W x L)	820 x 680 x 150 mm
Adjustment rough	20 cm
Adjustment smooth	20 cm
Material Humerus set	Stainless steel
UDI-DI 11443	07350111832537
UDI-DI 11438	07350111832544
UDI-DI 10-399	07350111832650



Reison Medical AB

Eriksbergsvägen 32A

734 92 Hallstahammar

SWEDEN

+46 (0)220 433 99 | order@reison.se | info@reison.se