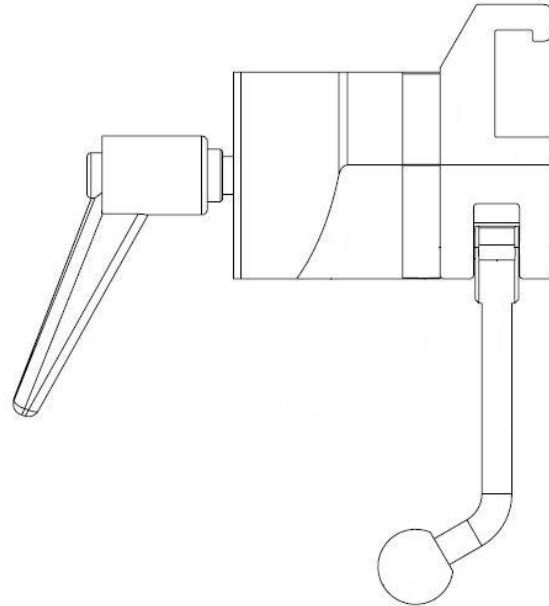


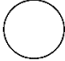
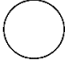


Clamp armboard 10019 including versions



Version	Description	Pole type
10019	Clamp (EU 25x10 mm rail) with 10 mm spacer	 Ø20 mm
10019-S30	Clamp (EU 25x10 mm rail) with 30 mm spacer	 Ø20 mm
10019-UK	Clamp (UK 1¼" x ¼" rail) with 10 mm spacer	 Ø18 mm
10019-US	Clamp (US 1½" x ⅜" rail) with 10 mm spacer	 Ø18 mm



Warning! This symbol indicates important information related to safety. Follow these instructions carefully.



Read User Manual before use! It is important to fully understand the content of the user manual before attempting to use the equipment.



2021-04-14

Document number: M10019EN rev.01

Intended use

Clamp intended to attach and position accessories, with a pole size \varnothing 16 mm or plane \varnothing 20 mm, to the accessory rail on operating and examination tables. The product is to be used by medical professionals within a medical facility.



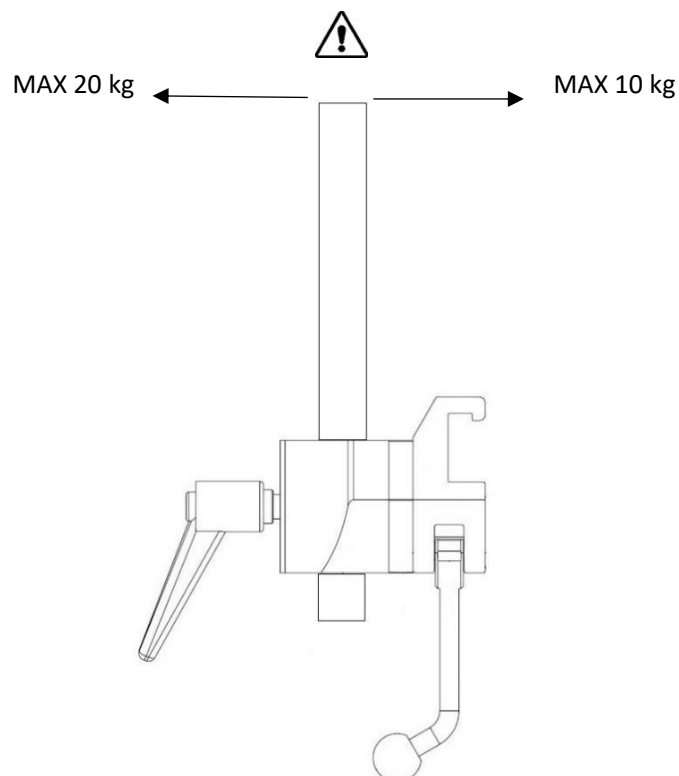
Safety regulation

Maximum load: 10 kg inward load over the OR-table and 20 kg outward load away from the OR-table, according to EN 60601-1 and EN 60601-2.

Before use, ensure correct function!

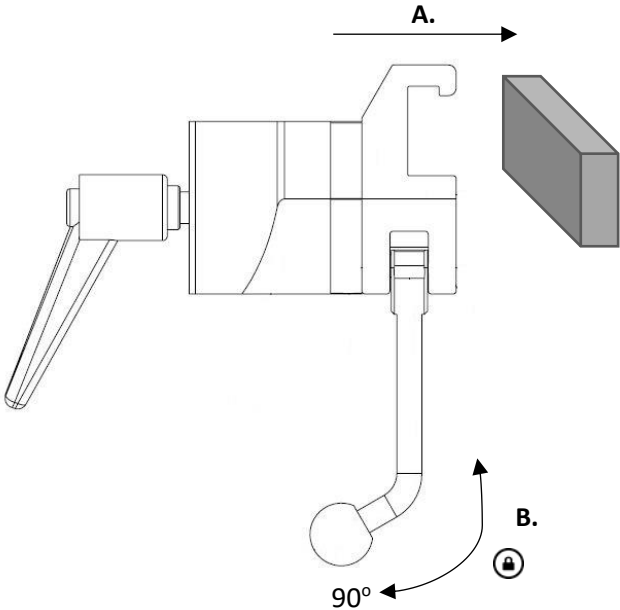
When loosening the lock handle to adjust the height, support the accessory, to prevent it from uncontrolled descend into the bottom position.

Service and preventive maintenance shall be performed by authorized personnel.

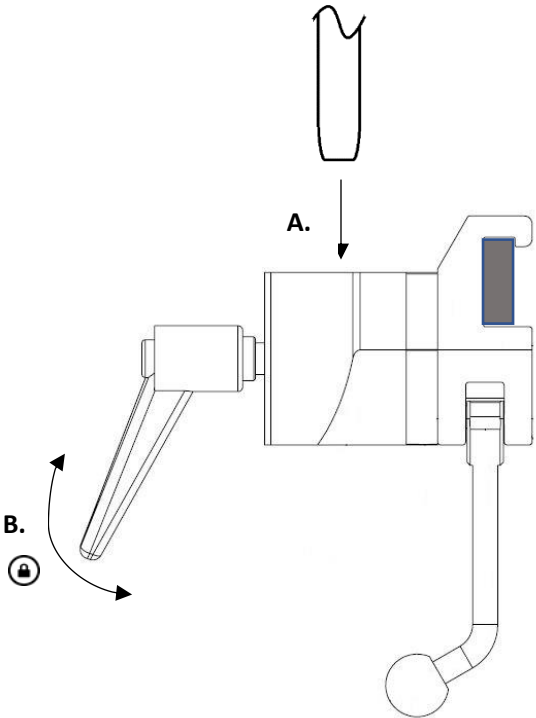


User instruction

Installation



Usage



Maintenance



Service, preventive maintenance, adjustment and repair shall be performed by authorized personnel only. Altering the construction without a written consent from the manufacturer, is strictly forbidden.

Cleaning

Clean with antiseptic detergent with pH 6 – 8 and warm water. Ethanol can be used. Wipe dry with soft cloth. Do not use strong acidic or alkaline detergent.

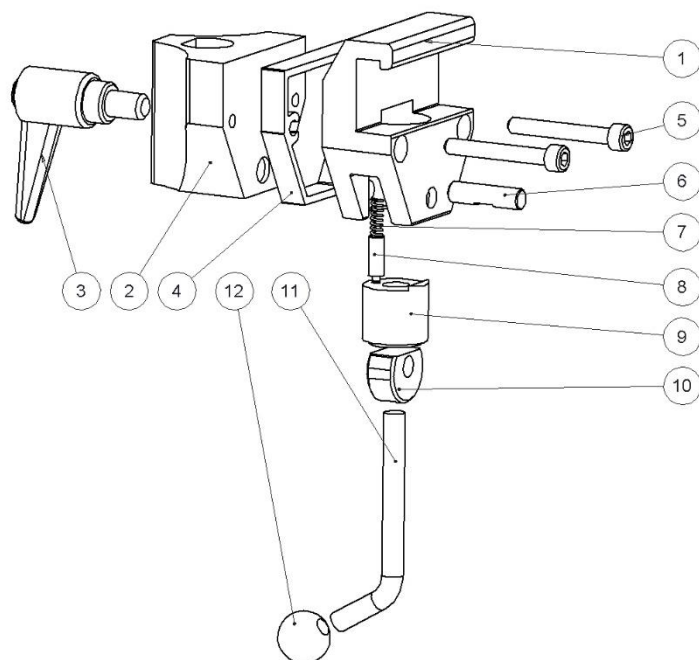
Control

Check that there are no loose parts and that there is no damage to any part. Check the clamp lock function and the function for positioning and locking the accessory pole in the clamp.

Annual service

Once a year the clamp shall be carefully cleaned, moving parts shall be lubricated, the locking function shall be tested

Spare parts



		Version:				
		10019	10019-S30	10019-UK	10019-US	
	Description	Pcs.	Article no.	Article no.	Article no.	
1.	House	1	10031	10031	10543	10547
2.	Guide	1	10053	10053	10053	10053
3.	Adjustable handle	1	6-593-65	6-593-65	6-593-65	6-593-65
4.	Spacer	1	10526-A	10526-30	10526-A	10526-A
5.	Screw MC6S M6x45 FZ	2	-	-	-	-
6.	Shaft	1	10009	10009	10009	10009
7.	Spring	1	10013	10013	10013	10013
8.	Pressure pin	1	10012	10012	10012	10012
9.	Plunger	1	10711	10711	10711	10711
10.	Eccentric	1	11165	11165	11165	11165
11.	Lock lever	1	10014	10014	10014	10014
12.	Ball	1	K20M8S	K20M8S	K20M8S	K20M8S

Technical specification

Maximum workload	10 kg inward load over the OR-table and 20 kg outward load away from the OR-table, according to EN 60601-1 and EN 60601-2.
Weight	0,65 kg
Material clamp	Aluminum

Version	UDI-DI	Dimension (H x W x L)
10019	07350111830281	155 x 65 x 145
10019-S30	07350111830298	155 x 65 x 165
10019-UK	07350111830304	155 x 65 x 145
10019-US	07350111830311	155 x 65 x 145



Reison Medical AB

Eriksbergsvägen 32A

734 92 Hallstahammar

SWEDEN

+46 (0)220 433 99 | order@reison.se | info@reison.se