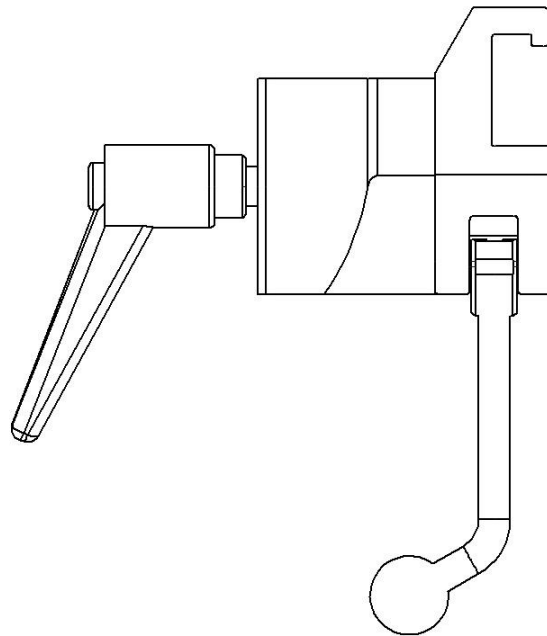
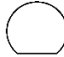




Clamp armboard 10018 including versions



Version	Description	Pole type	
10018	Clamp (EU 25x10 mm rail)		Ø20 mm
10018-UK	Clamp (UK 1¼" x ¼" rail)		Ø18 mm
10018-US	Clamp (US 1⅝" x ⅜" rail)		Ø18 mm



Warning! This symbol indicates important information related to safety. Follow these instructions carefully.



Read User Manual before use! It is important to fully understand the content of the user manual before attempting to use the equipment.

CE

2022-02-03

Document number: M10018EN rev.01

Intended use

Clamp intended to attach and position accessories, with a pole size \varnothing 16 mm or plane \varnothing 20 mm, to the accessory rail on operating and examination tables. The product is to be used by medical professionals within a medical facility.



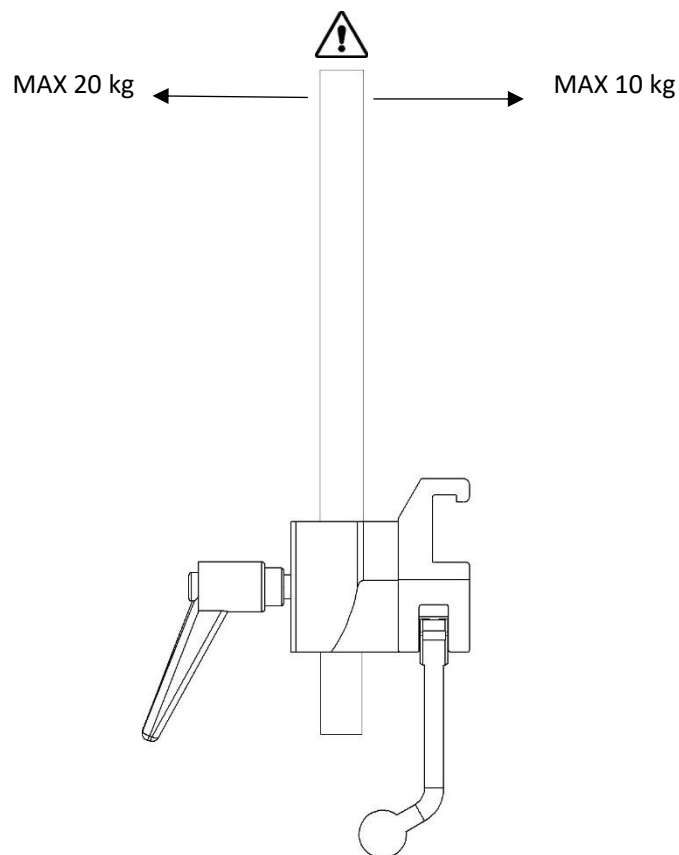
Safety regulation

Maximum load: 10 kg inward load over the OR-table and 20 kg outward load away from the OR-table, according to EN 60601-1 and EN 60601-2.

Before use, ensure correct function!

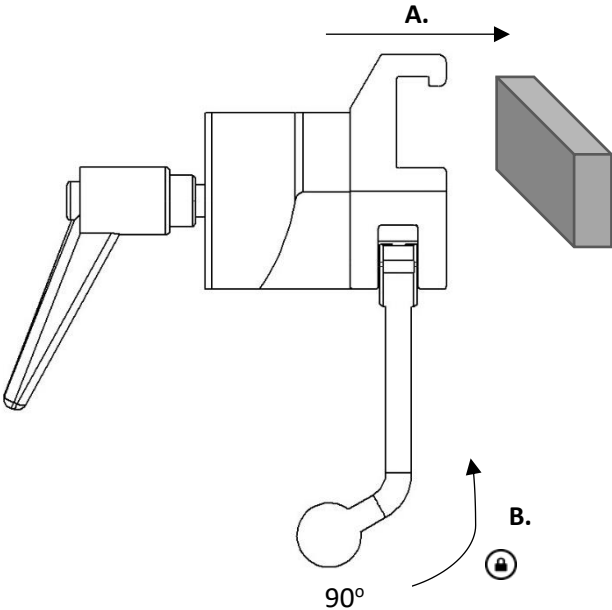
When loosening the lock handle to adjust the height, support the accessory, to prevent it from uncontrolled descend into the bottom position.

Service and preventive maintenance shall be performed by authorized personnel.

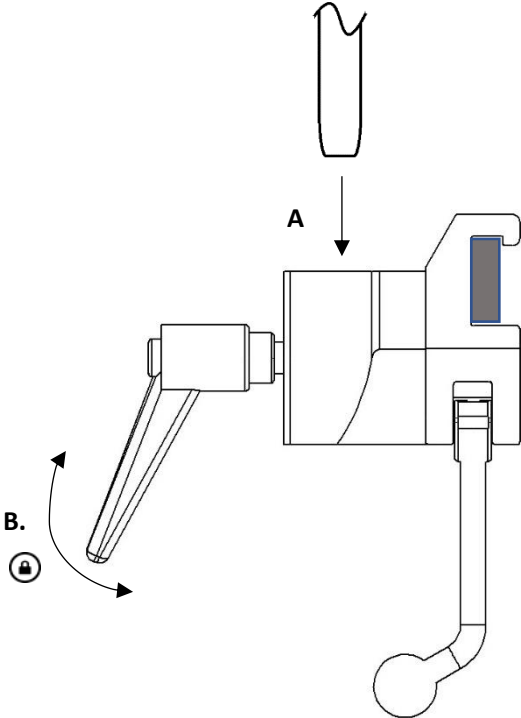


User instruction

Installation



Usage



Maintenance



Service, preventive maintenance, adjustment and repair shall be performed by authorized personnel only. Altering the construction without a written consent from the manufacturer, is strictly forbidden.

Cleaning

Clean with antiseptic detergent with pH 6 – 8 and warm water. Ethanol can be used. Wipe dry with soft cloth. Do not use strong acidic or alkaline detergent.

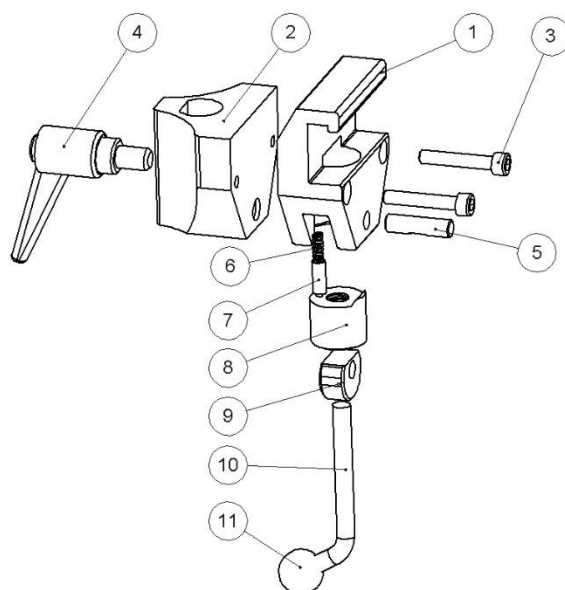
Control

Check that there are no loose parts and that there is no damage to any part. Check the clamp lock function and the function for positioning and locking the accessory pole in the clamp.

Annual service

Once a year the clamp shall be carefully cleaned, moving parts shall be lubricated, the locking function shall be tested

Spare parts



	Version:			
	10018	10018-UK	10018-US	
Description	Pcs.	Articelo no.	Articelo no.	Articelo no.
1. House	1	10031	10543	10547
2. Guide	1	10053	10053	10053
3. Screw MC6S M6x45 FZ	2	-	-	-
4. Adjustable handle	1	6-593-65	6-593-65	6-593-65
5. Shaft	1	10009	10009	10009
6. Spring	1	10013	10013	10013
7. Pressure pin	1	10012	10012	10012
8. Plunger	1	10711	10711	10711
9. Eccentric	1	11165	11165	11165
10. Lock lever	1	10014	10014	10014
11. Ball	1	K20M8S	K20M8S	K20M8S

Technical specification

Maximum workload 10 kg inward load over the OR-table and 20 kg outward load away from the OR-table, according to EN 60601-1 and EN 60601-2.

Weight 0,65 kg

Dimension (H x W x L) 155 x 65 x 135 mm

Material clamp Aluminum

UDI-DI 10018: 07350111830250
 10018-UK: 07350111830267
 10018-US: 07350111830274



Reison Medical AB

Eriksbergsvägen 32A

734 92 Hallstahammar

SWEDEN

+46 (0)220 433 99 | order@reison.se | info@reison.se