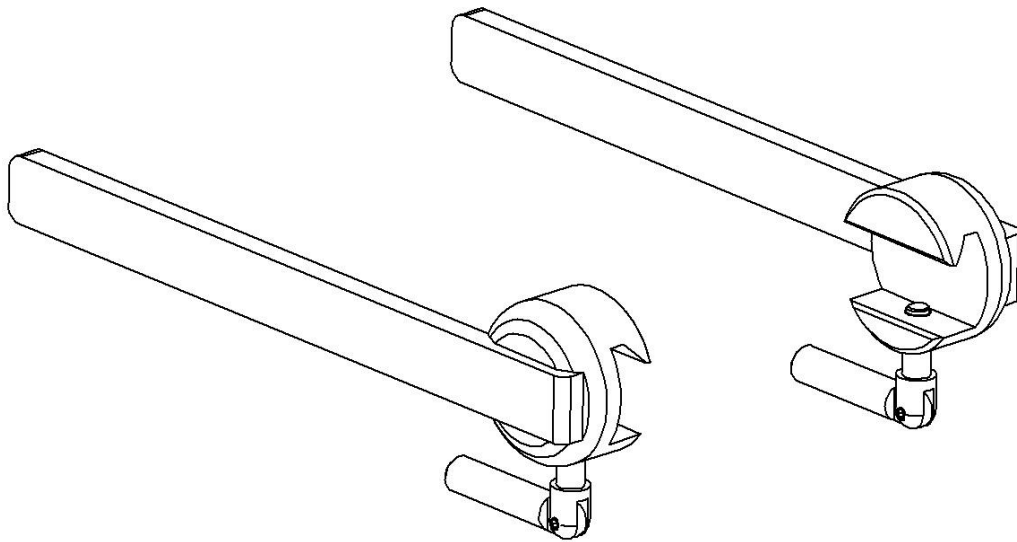


## Extension rail 10-491 including versions

---



Version	Description
10-491	280 mm rail EU 25x10 mm
10-491-L	500 mm rail EU 25x10 mm
10-491-UK	280 mm rail UK 1¼" x ¼"



Warning! This symbol indicates important information related to safety. Follow these instructions carefully.



Read User Manual before use! It is important to fully understand the content of the user manual before attempting to use the equipment.

**CE**

2021-06-17

Document number: M10-491EN rev.01

## Intended use

---

Extension rail intended to be attached to the end of the accessory rails on the OR-table to enable extended space for accessories on the table. The product is to be used by medical professionals within a medical facility.



## Safety regulation

---

Maximum load: 20 kg per rail

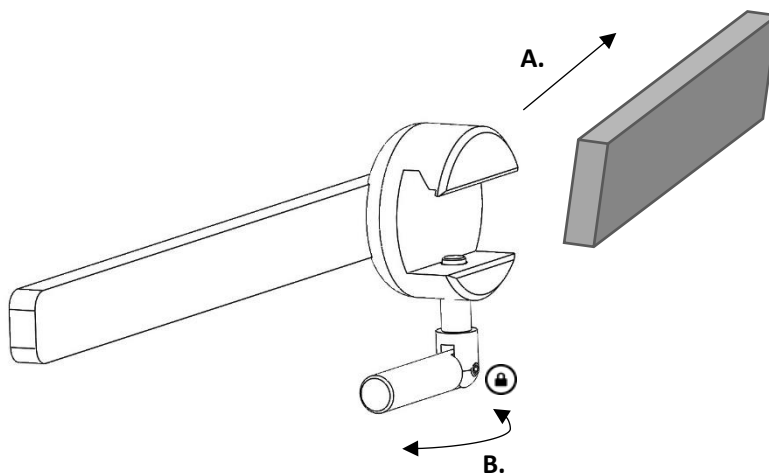
Before use, ensure correct function!

Service and preventive maintenance shall be performed by authorized personnel.

## User instruction

---

### Installation



## Maintenance

Service, preventive maintenance, adjustment and repair shall be performed by authorized personnel only. Altering the construction without a written consent from the manufacturer, is strictly forbidden.

## Cleaning

Clean with antiseptic detergent with pH 6 – 8 and warm water. Ethanol can be used. Wipe dry with soft cloth. Do not use strong acidic or alkaline detergent.

## Control

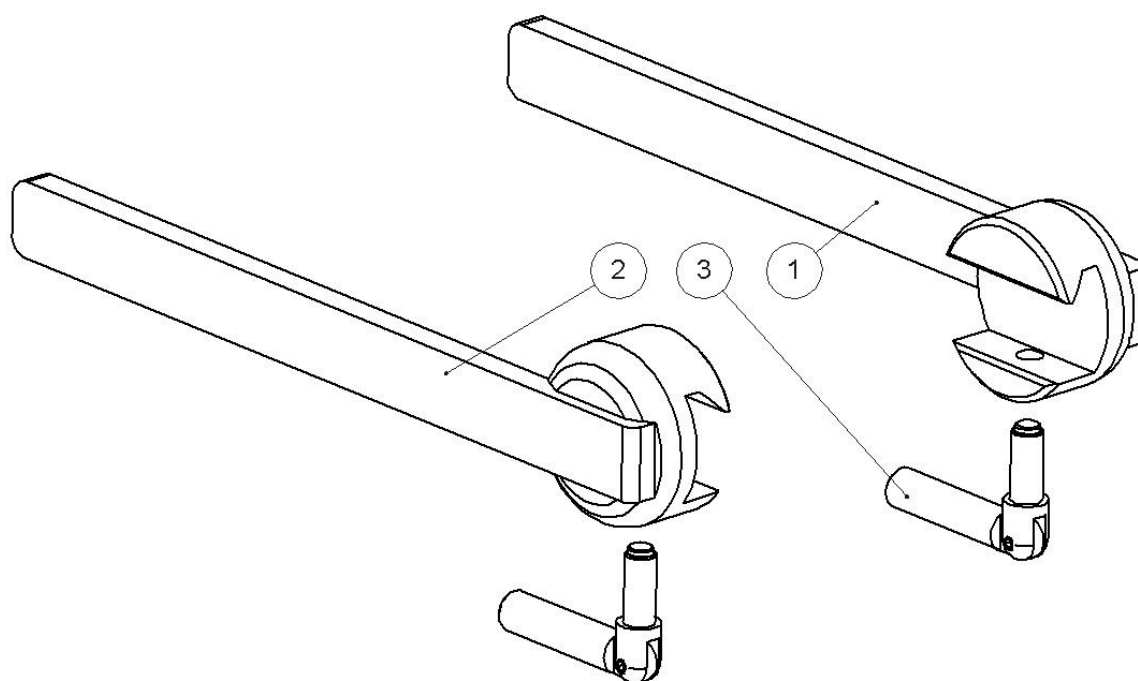
Check that there is no damage to any part of the extension rail. Check the locking function.

## Annual service

Once a year the extension rail shall be carefully cleaned. Threading and rail tracks shall be lubricated. The locking function shall be tested.

## Spare parts

---



Description	Version:			
	10-491	10-491-L	10-491-UK	
	Pcs.	Article no.	Article no..	Article no..
1. Extension rail Right	1	10589	12064	11284
2. Extension rail Left	1	10589-1	12065	11466
3. Lock lever	2	10733	10733	10733

## Technical specification

---

Maximum load                      20 kg per rail

Material extension rail            Stainless steel

Version	UDI-DI	Weight (pair)	Dimension (H x W x L)
10-491	07350111831790	2,1 kg	90 x 40 x 280 mm
10-491-L	07350111831806	2,4 kg	90 x 40 x 500 mm
10-491-UK	07350111831813	1,8 kg	90 x 40 x 280 mm



Reison Medical AB  
Eriksbergsvägen 32A  
734 92 Hallstahammar  
SWEDEN

+46 (0)220 433 99 | [order@reison.se](mailto:order@reison.se) | [info@reison.se](mailto:info@reison.se)