

Warning! This symbol indicates important information related to safety. Follow these instructions carefully.



Read User Manual before use! It is important to fully understand the content of the user manual before attempting to use the equipment.

**CE**

2024-06-03

Dokument nummer: M10-485EN rev.02

## Change in the latest version update

---

Addition to safety regulations due to NC-24-010. " Make sure that the product fits the patient's size above the abdomen. Do not cover the open area in the center of the product. It can lead to too much pressure in the abdomen."

## Intended use

---

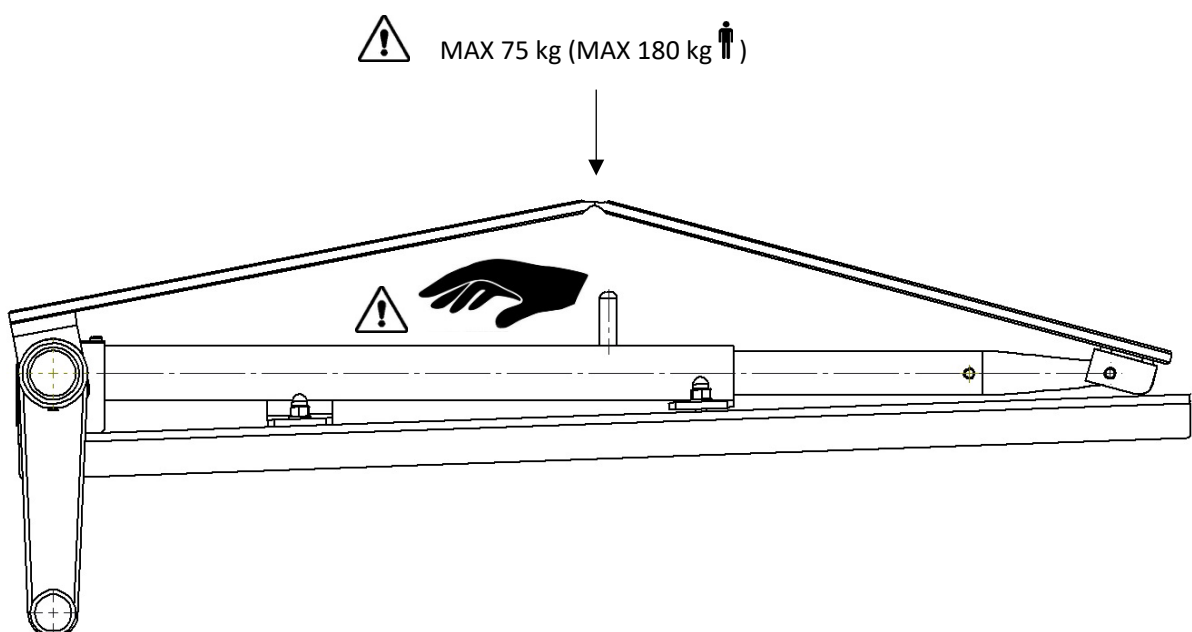
Hernia bridge intended to use placed underneath the patient as a support with adjustable height for positioning during e.g. spine surgery. The product is to be used by medical professionals within a medical facility.



## Safety Regulations

---

- Make sure that the product fits the patient's size above the abdomen.
- Do not cover the open area in the middle of the product. This can lead to excessive pressure in the abdomen.
- Maximum load: 75 kg, corresponding to a patient weight of 180 kg, according to EN 60601-1 and EN 60601-2.
- Before use, ensure correct function!
- Pay attention to the risk of pinching/crushing during height adjustment.
- Service and preventive maintenance shall be performed by authorized personnel.

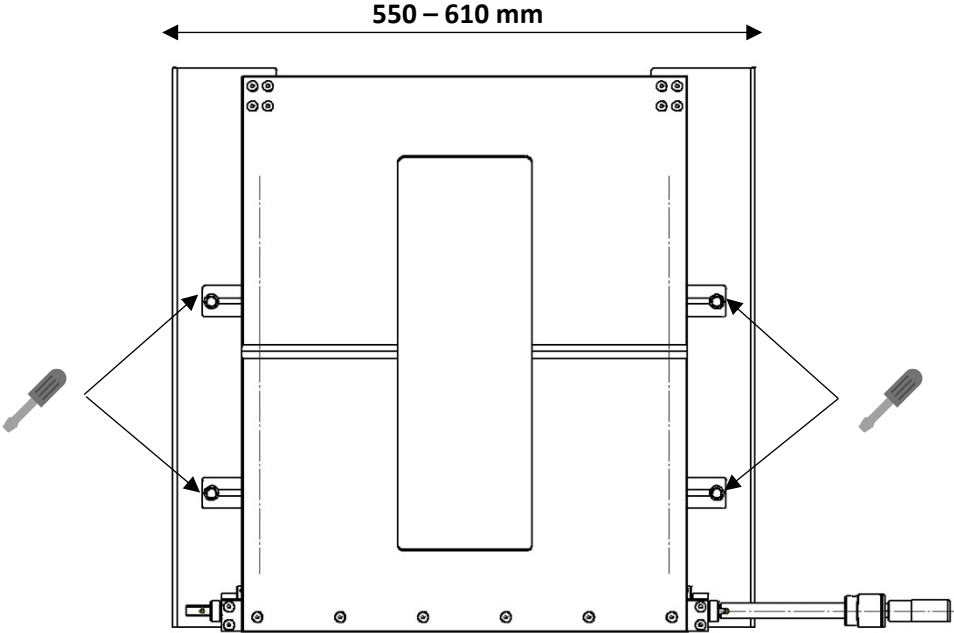


# User Instruction

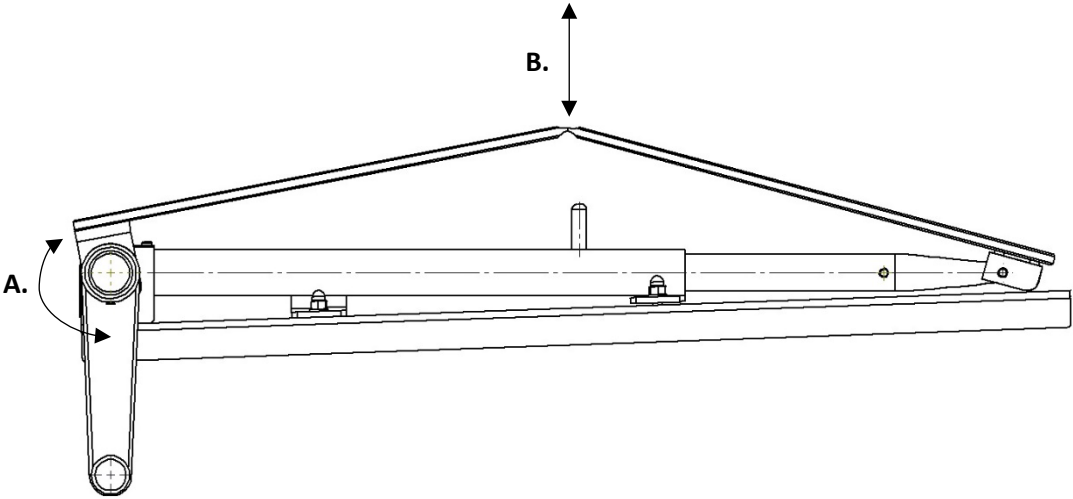
---

## Installation

Adjust the width of the edge supports to fit the width of the operating table.



## Position adjustment





## Maintenance

Service, preventive maintenance, adjustment and repair shall be performed by authorized personnel only. Altering the construction without a written consent from the manufacturer, is strictly forbidden.

## Cleaning

Clean with antiseptic detergent with pH 6 – 8 and warm water. Ethanol can be used on metal surfaces. Wipe dry with soft cloth. Do not use strong acidic or alkaline detergent.

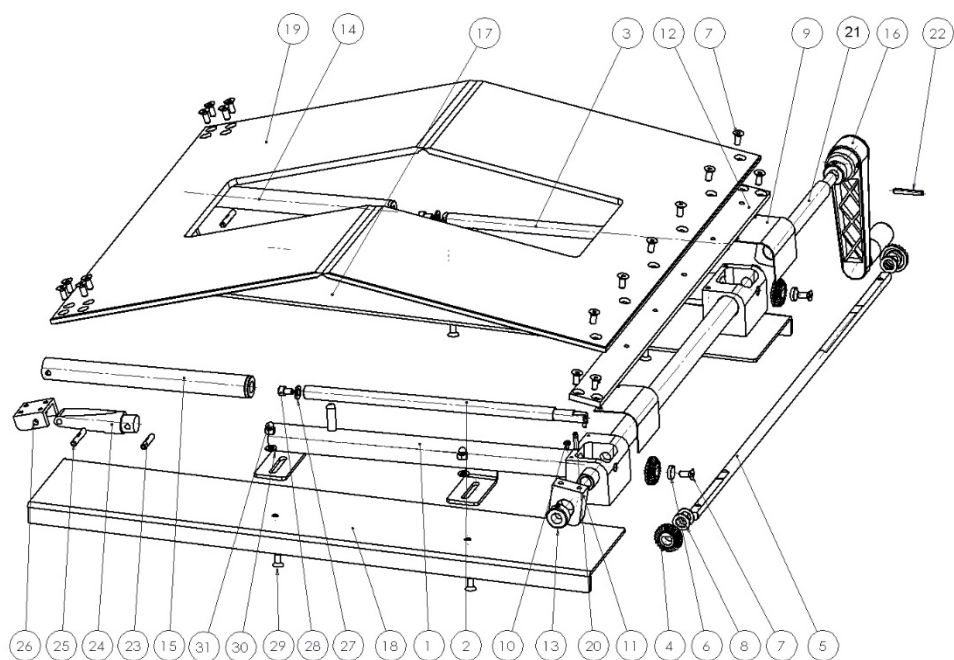
## Control

Check that there are no loose parts and that there is no damage to any part. Check the positioning function of the hernia bridge.

## Annual service

Once a year the hernia bridge shall be carefully cleaned, moving parts shall be lubricated, the positioning function shall be tested.

## Spare Parts



	Description	No of pieces	Part no.
1.	Frame	1	10082
2.	Screw right threaded	1	10106
3.	Screw left threaded	1	10107
4.	Bevel gear	4	030183-A
5.	Shaft	1	10110
6.	Washer BRB 8,4x16x1,5 FZB	2	-
7.	Screw MF6S M5x12 A2	22	-
8.	Washer DB 10x16x1	4	-
9.	Cover	2	10109
10.	Screw MC6S M3x6 A2	4	-
11.	HInge	2	10112
12.	Rail	1	10090
13.	Stop ring 10x20x10 A2	2	-
14.	Tube left threaded	1	11143
15.	Tube right threaded	1	11144
16.	Crank	1	10102
17.	Edge support right	1	10414HÖ
18.	Edge support left	1	10414VÄ
19.	Plate	1	11199
20.	Tubular pin FRP 4x14	2	-
21.	Crank tube	1	10852
22.	Tubular pin FRP 4x28	1	-
23.	Tubular pin RPD Ø5x25 A2	2	-
24.	End piece	2	10113
25.	Tubular pin RPD Ø5x30 A2	2	-
26.	Hinge	2	10108
27.	Washer BRB 6,4x12x1,5 FZB	2	-
28.	Screw MC6S M5x8 FZB	2	-
29.	Screw MF6S M5x12 A2	4	-
30.	Washer BRB 5,3x10x1	4	-
31.	Cap nut MHM5 A2	4	-

## Technical Specifications

---

Maximum load	75 kg, corresponding to a patient weight of 180 kg, according to EN 60601-1 and EN 60601-2
Material	Chromed steel Stainless steel PP plastic
Weight	7,7 kg
Dimension (H x B x L)	80-190 x 550-610 x 550 mm
UDI-DI	07350111832469



Reison Medical AB  
Eriksbergsvägen 32A  
734 92 Hallstahammar  
SWEDEN  
+46 (0)220 433 99 | [order@reison.se](mailto:order@reison.se) | [info@reison.se](mailto:info@reison.se)