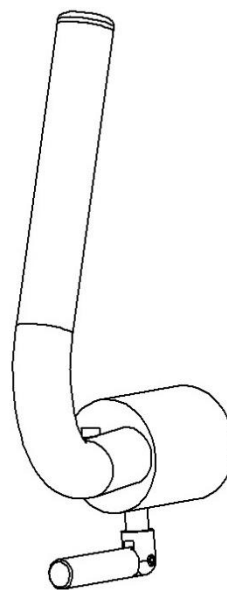
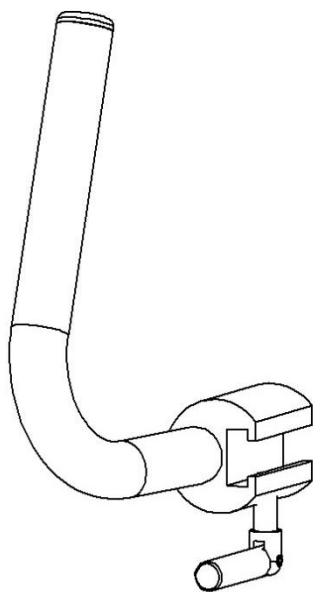


## Transport handle 10-456 including versions

---



Version	Description
10-456	For rail EU 25x10 mm
10-456-UK	For rail UK 1¼" x ¼"



Warning! This symbol indicates important information related to safety. Follow these instructions carefully.



Read User Manual before use! It is important to fully understand the content of the user manual before attempting to use the equipment.



2020-10-30  
Dokument nummer: M10-456EN rev.01

## Intended use

---

Transport handle intended to be attached to the accessory rails on the OR-table to enable easier transportation of the table. The product is to be used by medical professionals within a medical facility.



## Safety regulations

---

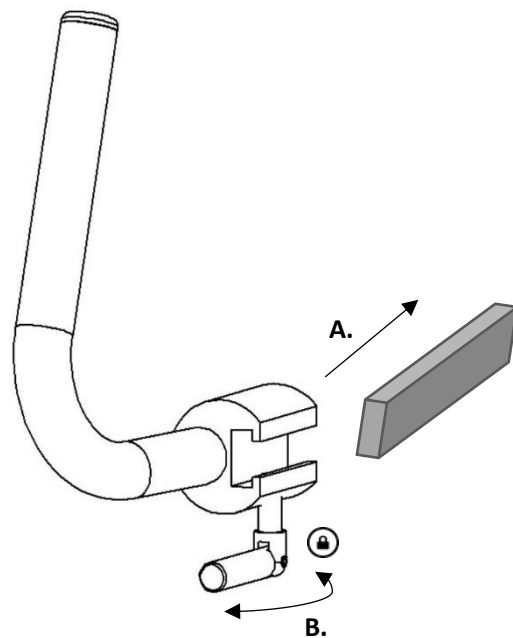
Before use, ensure correct function!

Service and preventive maintenance shall be performed by authorized personnel.

## User instruction

---

### Installation



## Maintenance

Service, preventive maintenance, adjustment and repair shall be performed by authorized personnel only. Altering the construction without a written consent from the manufacturer, is strictly forbidden.

## Cleaning

Clean with antiseptic detergent with pH 6 – 8 and warm water. Ethanol can be used. Wipe dry with soft cloth. Do not use strong acidic or alkaline detergent.

## Control

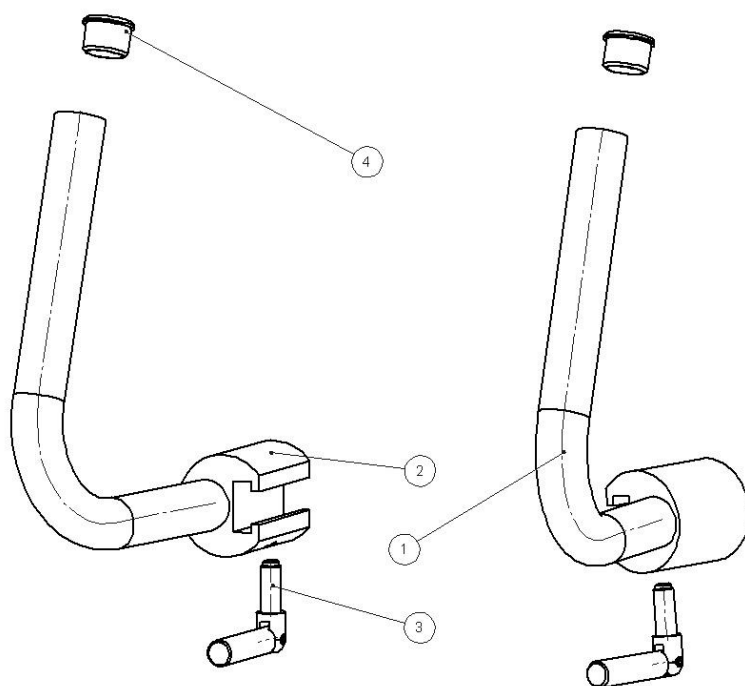
Check that there is no damage to any part of the transport handle. Check the locking function.

## Annual service

Once a year the transport handle shall be carefully cleaned. Threading and rail tracks shall be lubricated. The locking function shall be tested.

## Spare parts

---



Description	Version: 10-456		10-456-UK
	Pcs	Article no.	Article no.
1. Transport handle Right	1	10956	11295
2. Transport handle Left	1	10957	11296
3. Lock lever	2	10733	10733
4. Plastic plug IKP 2521-23-S	2	-	-

## Technical specification

---

Weight	1,9 kg (pair)
Dimension (H x W x L)	220 x 80 x 160 mm
Material transport handle	Stainless steel

Version	UDI-DI
10-456	07350111832360
10-456-UK	07350111832377



Reison Medical AB  
Eriksbergsvägen 32A  
734 92 Hallstahammar  
SWEDEN

+46 (0)220 433 99 | [order@reison.se](mailto:order@reison.se) | [info@reison.se](mailto:info@reison.se)