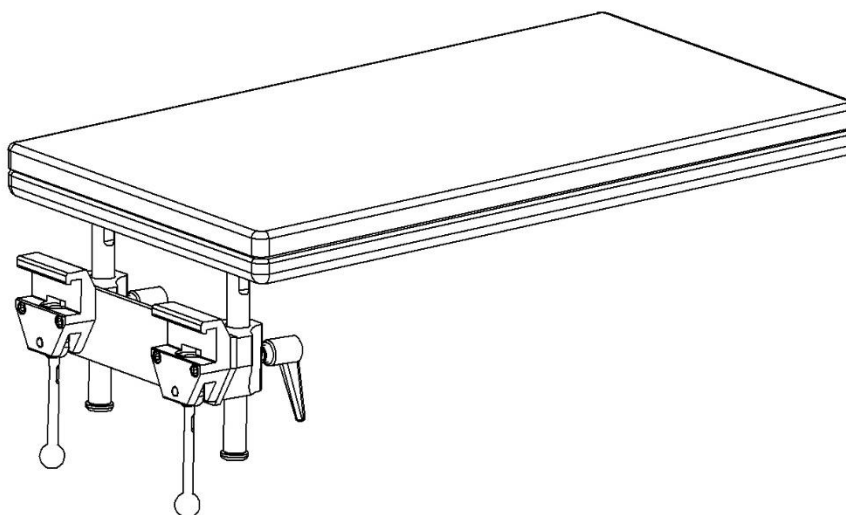


## Arm surgery table 10-396-K including versions

---



Version	Description
10-396-K	Clamp (EU 25x10 mm skena)
10-396-K-US	Clamp (US 1 $\frac{1}{8}$ " x $\frac{3}{8}$ " skena)
10-396-UK-K	Clamp (UK 1 $\frac{1}{4}$ " x $\frac{1}{4}$ " skena)



Warning! This symbol indicates important information related to safety. Follow these instructions carefully.



Read User Manual before use! It is important to fully understand the content of the user manual before attempting to use the equipment.

**CE**

2021-04-15

Document number: M10-396-KEN rev.01

## Intended use

---

Arm surgery table for placement of patient arm during surgical treatment of arm and hand. The product is to be used by medical professionals within a medical facility.



## Safety regulation

---

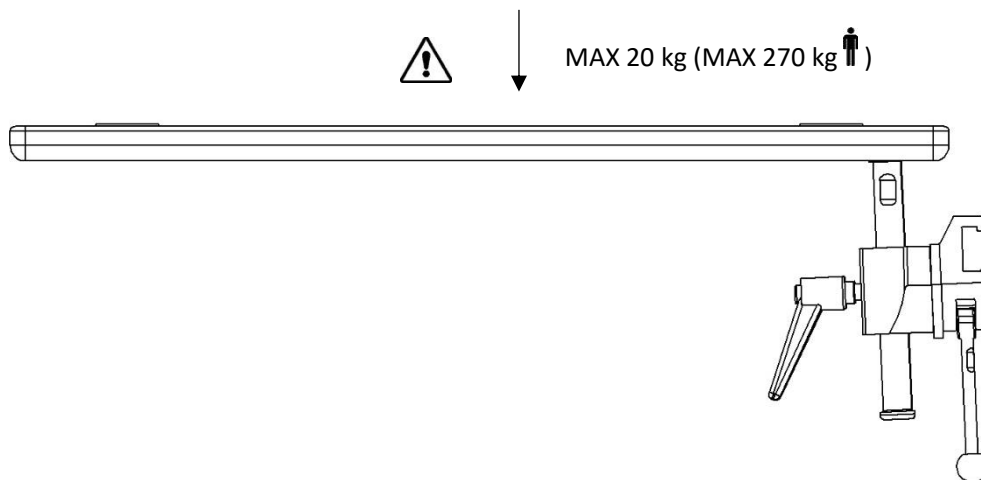
Maximum load: 20 kg in even distribution, corresponding to a patient weight of 270 kg, according to EN 60601-1 and EN 60601-2.

Before use, ensure correct function!

When loosening the lock lever to adjust the height, support underneath the arm table, to prevent it from uncontrolled descend into the bottom position.

Remove the arm surgery table during transport!

Service and preventive maintenance shall be performed by authorized personnel.

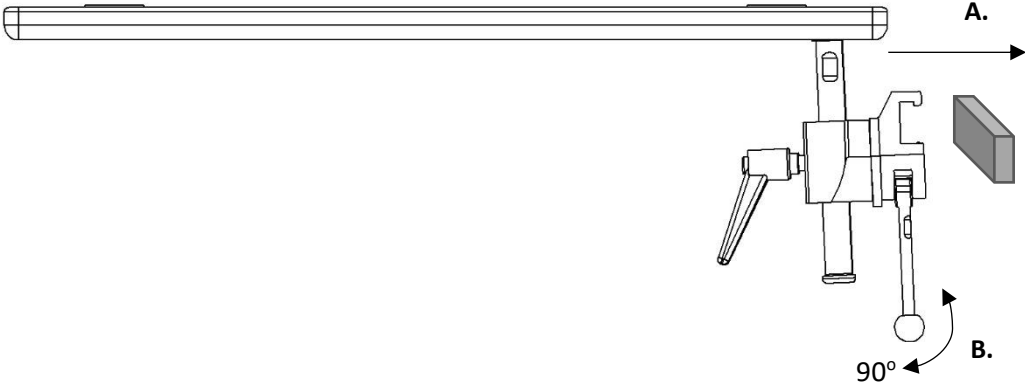


User instruction

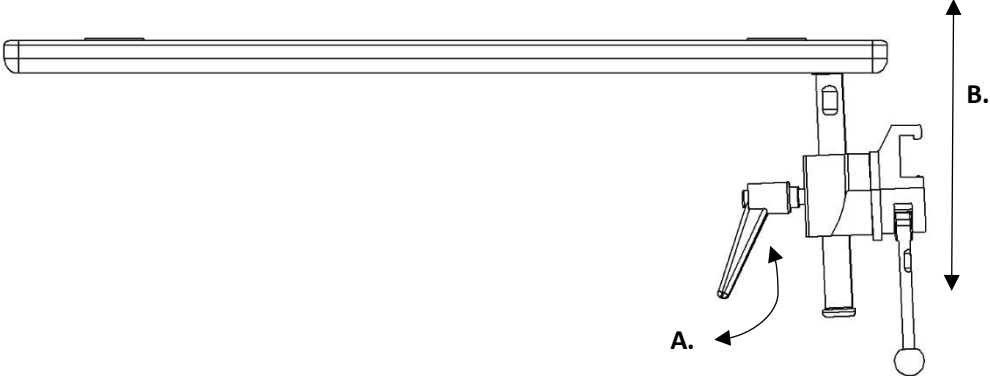
---

Installation

1.



2.



## Maintenance

Service, preventive maintenance, adjustment and repair shall be performed by authorized personnel only. Altering the construction without a written consent from the manufacturer, is strictly forbidden.

## Cleaning

Clean with antiseptic detergent with pH 6 – 8 and warm water. Ethanol can be used on metal surfaces. Wipe dry with soft cloth. Do not use strong acidic or alkaline detergent.

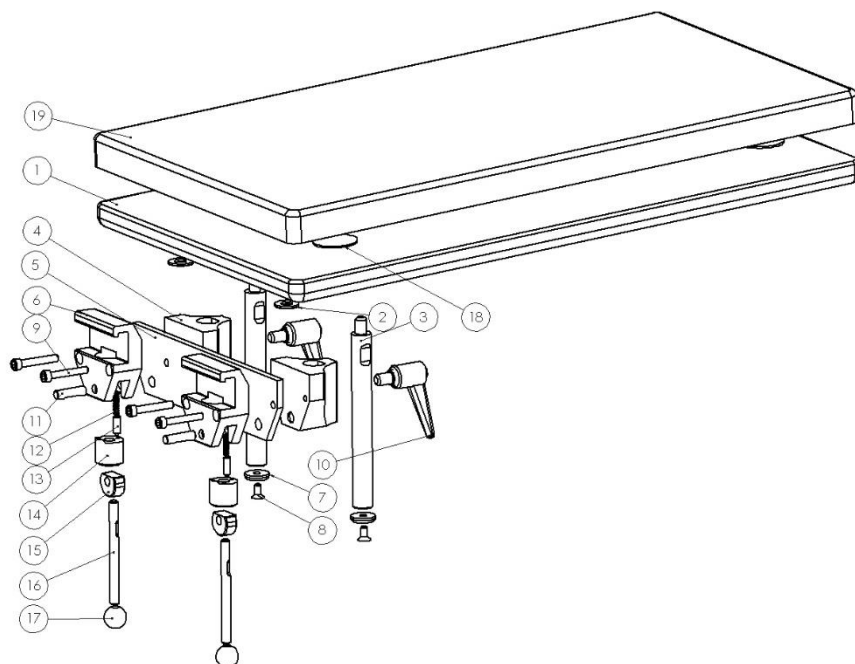
## Control

Check that there are no loose parts and that there is no damage to any part. The lock function is checked by locking and unlocking the top in different positions. If a cushion is used check that it is clean and is not damaged.

## Annual service

Once a year the arm table shall be carefully cleaned, moving parts shall be lubricated, the locking function shall be tested.

## Spare parts



	Version:			
	10-396-K	10-396-K-US	10-396-UK-K	
Description	Pcs.	Article no.	Article no.	Article no.
1. Plate	1	11947	11947	11947
2. Washer BRB 10,5x22x2 A2	2	-	-	-
3. Post	2	10968	10968	10968
4. Guide	2	10053	10053	10053
5. Parallel bar	1	10966	10966	10966
6. Clamp body	2	10031	10547	10543
7. Washer	2	10004	10004	10004
8. Screw MF6S M6x12 A2	2	-	-	-
9. Screw MC6S M6x40 FZB	4	-	-	-
10. Adjustable lock lever	2	6-593-65	6-593-65	6-593-65
11. Shaft	2	10009	10009	10009
12. Spring	2	10013	10013	10013
13. Pressure pin	2	10012	10012	10012
14. Plunger	2	10711	10711	10711
15. Eccentric	2	10015	10015	10015
16. Lock lever	2	10014	10014	10014
17. Ball	2	K20M8S	K20M8S	K20M8S
18. Mattress fixation	4	10364	10364	10364
19. Mattress	1	10553	10553	10553

## Technical specification

---

Maximum work load	20 kg in even distribution, corresponding to a patient weight of 270 kg, according to EN 60601-1 and EN 60601-2
Material arm surgery table	Carbon fibre Aluminum Stainless steel
Weight	4,5 kg
Dimension (H x W x L)	200-280 x 340 x 625 mm

<b>Version</b>	<b>UDI-DI</b>
10-396-K	07350111830816
10-396-K-US	07350111830830
10-396-UK-K	07350111830878



Reison Medical AB

Eriksbergsvägen 32A

734 92 Hallstahammar

SWEDEN

+46 (0)220 433 99 | [order@reison.se](mailto:order@reison.se) | [info@reison.se](mailto:info@reison.se)