

Warning! This symbol indicates important information related to safety. Follow these instructions carefully.



Read User Manual before use! It is important to fully understand the content of the user manual before attempting to use the equipment.



2023-09-22

Document number: M10-394EN rev.01

Intended use

Hand stretcher intended for fixation of the patient's hand when the forearm is to be stretched during surgery.

The product is intended for use by surgical professionals in healthcare facilities.



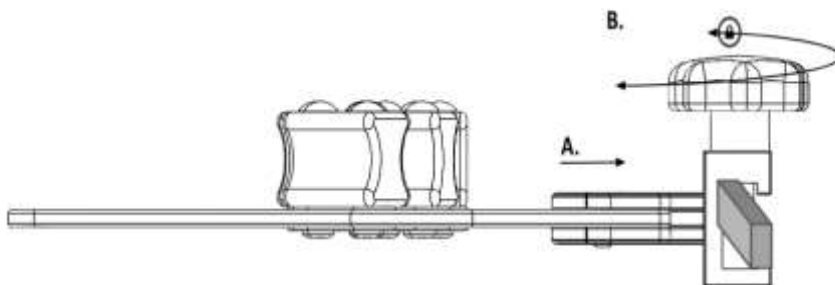
Safety regulations

Perform a function check before each use!

Service and preventive maintenance services must be performed by authorized personnel.

User instructions

Installation



Use

Place the patient's hand on the palm of the hand and place your fingers between the blocks. Slide the bricks in between your fingers to fix. With increased traction and stretching, the grip of the hand fixation increases.

Maintenance

Service, preventive maintenance, adjustments, and repairs may only be carried out by the trained staff. Modification of any part of the design without the written consent of the manufacturer is strictly prohibited. Violation may be prosecuted.

Cleaning

Clean with antiseptic soap detergent with pH 6 - 8 and warm water. Dry with a soft wipe. Do not use detergents that contain strong acids or bases.

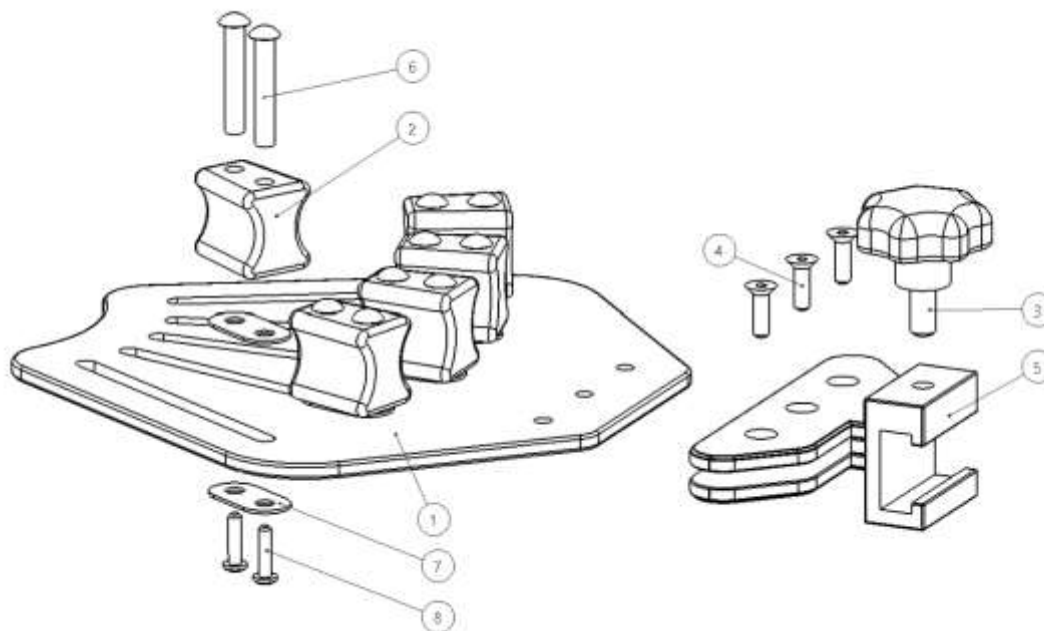
Control

Check the function and that there is no damage to the hand fixation.

Annual service

Every year, the hand fixation must undergo a thorough cleaning, see above. Threads should be lubricated with Waterproof grease and the sliding of the rubber blocks are controlled. The locking function in the hoof must be checked.

Spare parts



	Description	Number	Item
1.	Hand Plate	1	12418
2.	Sliding heel	5	11576-1
3.	Ratt VCT.43-pM8x16 soft	1	-
4.	Screw MF6s 5x16 A2	3	-
5.	Stronghold	1	-
6.	Pin	10	12463
7.	Tray	10	12419
8.	MK6s 4x16 A2 Screw	10	-

Technical specification

Weight	0,7 kg
Dimension (H x W x L)	115 x 190 x 220 mm
Material Hand fixation	Polyurethane Polymethyl Methacrylate Stainless steel

UDI-DI 07350111832919