

## Arm surgery table 10-390 including versions

---



Version	Description
10-390	Clamp (EU 25x10 mm rail)
10-390-S	Clamp (EU 25x10 mm rail), excl. mattress
10-390-US	Clamp (US 1½" x ¾" rail)
10-390-UK	Clamp (UK 1¼" x ¾" rail)



Warning! This symbol indicates important information related to safety. Follow these instructions carefully.



Read User Manual before use! It is important to fully understand the content of the user manual before attempting to use the equipment.

**CE**

2021-04-21

Document number: M10-390EN rev.01

## Intended use

---

Arm surgery table for placement of patient arm during surgical treatment of arm and hand. The product is to be used by medical professionals within a medical facility.



## Safety regulation

---

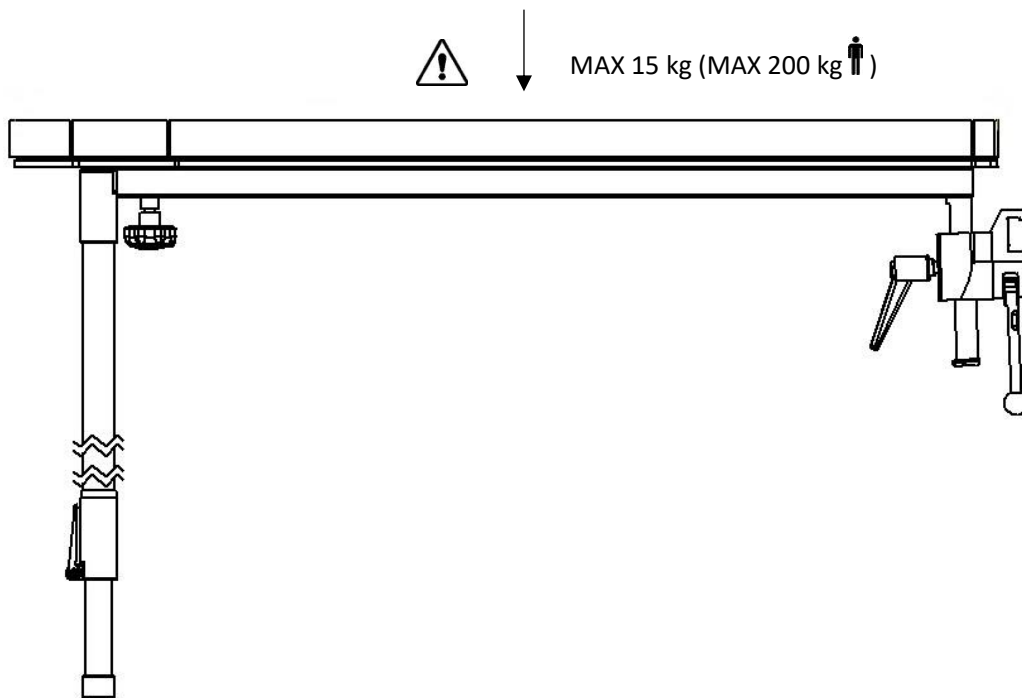
Maximum load: 15 kg in even distribution, corresponding to a patient weight of 200 kg, according to EN 60601-1 and EN 60601-2.

Before use, ensure correct function!

When loosening the lock lever to adjust the height, support underneath the arm table, to prevent it from uncontrolled descend into the bottom position.

Remove the arm surgery table during transport!

Service and preventive maintenance shall be performed by authorized personnel.

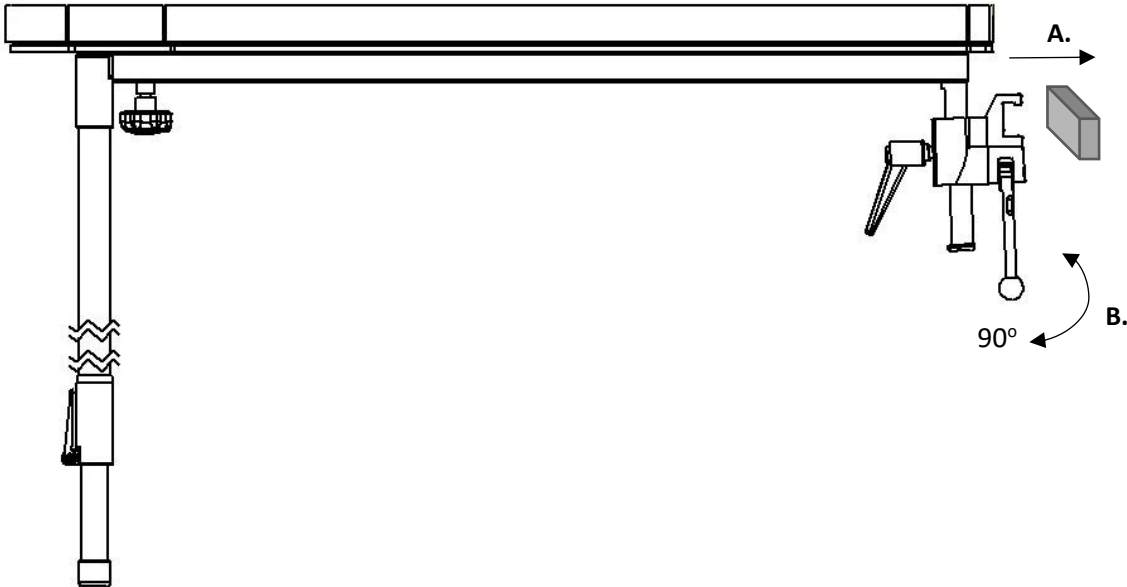


# User instruction

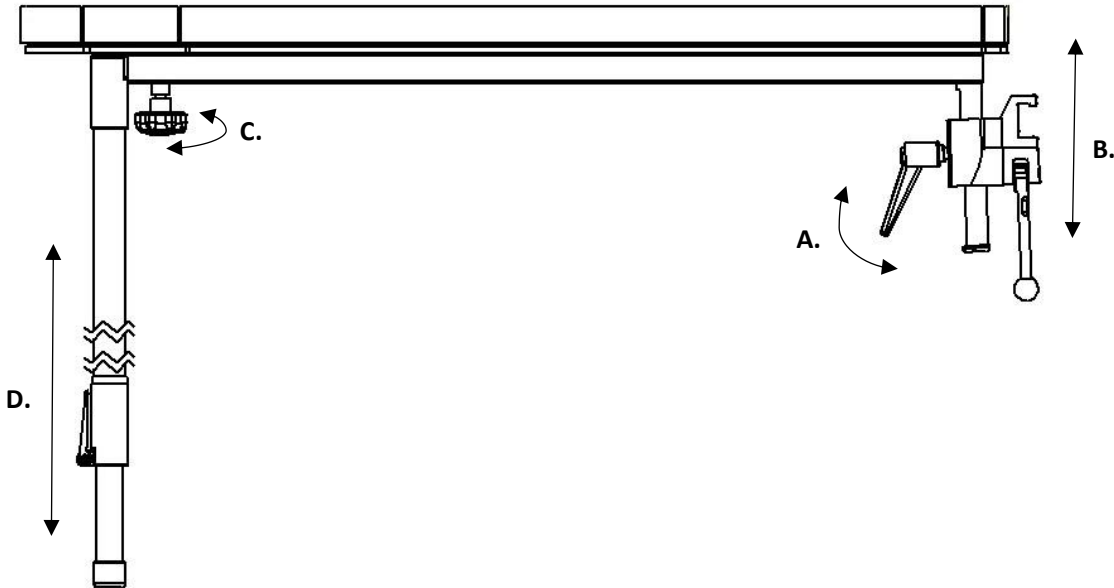
---

## Installation

1.



2.



## Maintenance

Service, preventive maintenance, adjustment and repair shall be performed by authorized personnel only. Altering the construction without a written consent from the manufacturer, is strictly forbidden.

## Cleaning

Clean with antiseptic detergent with pH 6 – 8 and warm water. Ethanol can be used. Wipe dry with soft cloth. Do not use strong acidic or alkaline detergent.

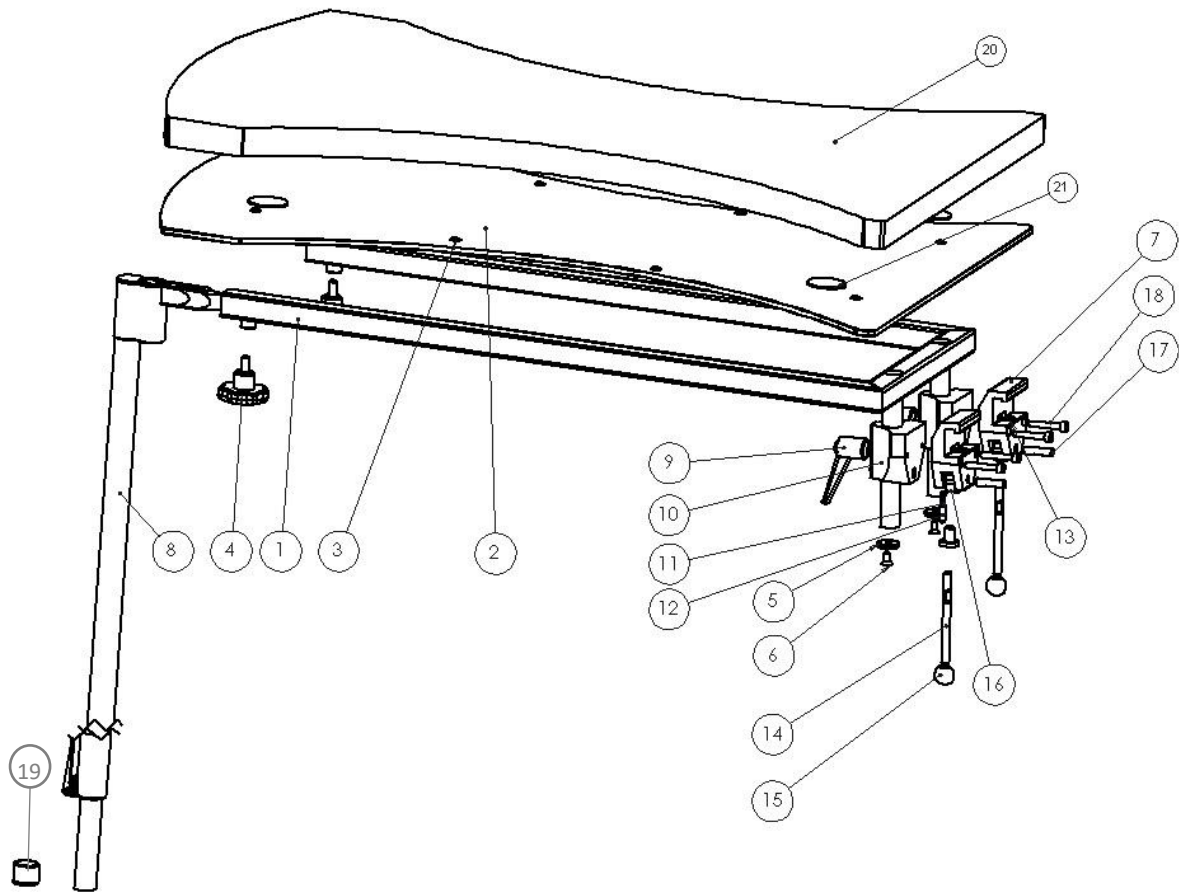
## Control

Check that there are no loose parts and that there is no damage to any part. The lock function is checked by locking and unlocking the top in different positions. If a cushion is used check that it is clean and is not damaged.

## Annual service

Once a year the arm table shall be carefully cleaned, moving parts shall be lubricated, the locking function shall be tested.

## Spare parts



	Description	Version:	
		10-390	10-390-S
Pcs.		Article no.	Article no.
1.	Frame	10056	10056
2.	Plate	10045	10045
3.	Blind rivet AS 4,8x12-F	-	-
4.	Knob VC 192/40 B M8	-	-
5.	Washer	10004	10004
6.	Screw MF6S M6x12 A2	-	-
7.	Clamp body	EU: 10031 US: 10547 UK: 10543	EU: 10031
8.	Supporting leg	11041	11041
9.	Adjustable lock lever	6.593.65	6.593.65
10.	Guide	10053	10053
11.	Spring	10013	10013
12.	Pressure pin	10012	10012
13.	Plunger	10711	10711
14.	Lock lever	10014	10014
15.	Ball	K20M8S	K20M8S
16.	Eccentric	11165	11165
17.	Shaft	10009	10009
18.	Screw MC6S M6x35 FZ	-	-
19.	Plastic plug UKB22S	-	-
20.	Mattress	10-397	-
21.	Attachment patch	11364	-

## Technical specification

---

Maximum work load	15 kg in even distribution, corresponding to a patient weight of 200 kg, according to EN 60601-1 and EN 60601-2
Weight	13 kg
Dimension (H x W x L)	700-1150 x 525 x 820 mm
Material arm surgery table	Stainless steel High pressure laminate

<b>Version</b>	<b>UDI-DI</b>
10-390	07350111830724
10-390-S	07350111830762
10-390-US	07350111830793
10-390-UK	07350111830779



Reison Medical AB

Eriksbergsvägen 32A

734 92 Hallstahammar

SWEDEN

+46 (0)220 433 99 | [order@reison.se](mailto:order@reison.se) | [info@reison.se](mailto:info@reison.se)