

Armboard for x-ray 10-385 including versions



Version	Description
10-385	Clamp (EU 25x10 mm rail)
10-385-UK	Clamp (UK 1 1/4" x 1/4" rail)
10-385-US	Clamp (US 1 1/2" x 3/8" rail)



Warning! This symbol indicates important information related to safety. Follow these instructions carefully.



Read User Manual before use! It is important to fully understand the content of the user manual before attempting to use the equipment.



2021-09-17

Document number: M10-385EN rev.01

Intended use

Armboard intended for placing and positioning the patients arm for e.g. medication during surgery and during procedures where the use of x-ray equipment is required. The product is to be used by medical professionals within a medical facility.



Safety regulation

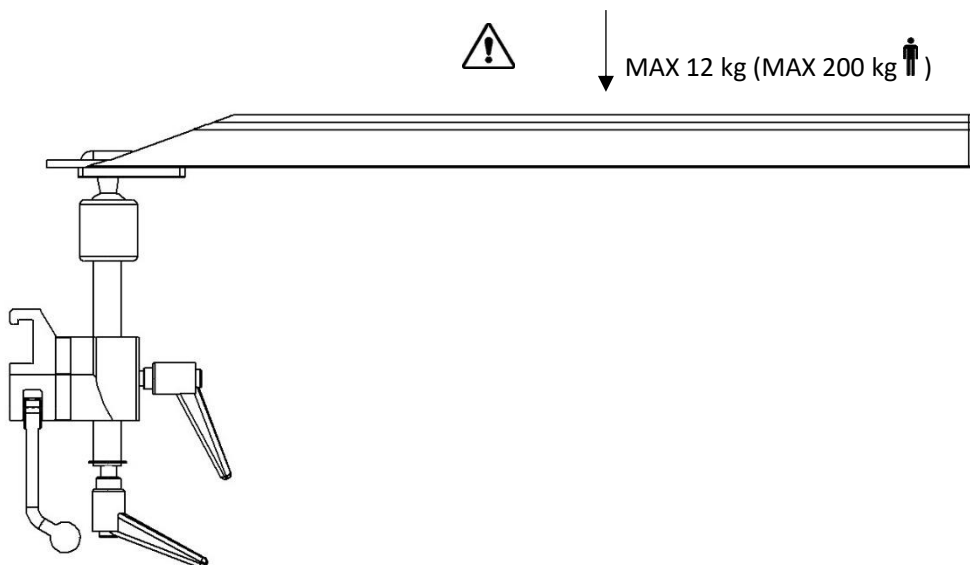
Maximum load: 12 kg in even distribution, corresponding to a patient weight of 200 kg, according to EN 60601-1 and EN 60601-2.

Before use, ensure correct function!

When loosening the lock lever to adjust the height, support underneath the armboard, to prevent it from uncontrolled descend into the bottom position.

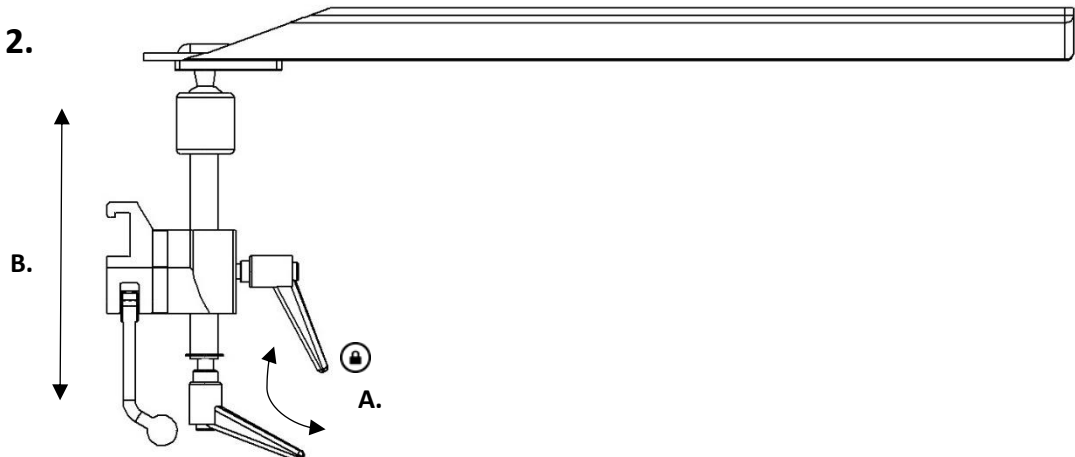
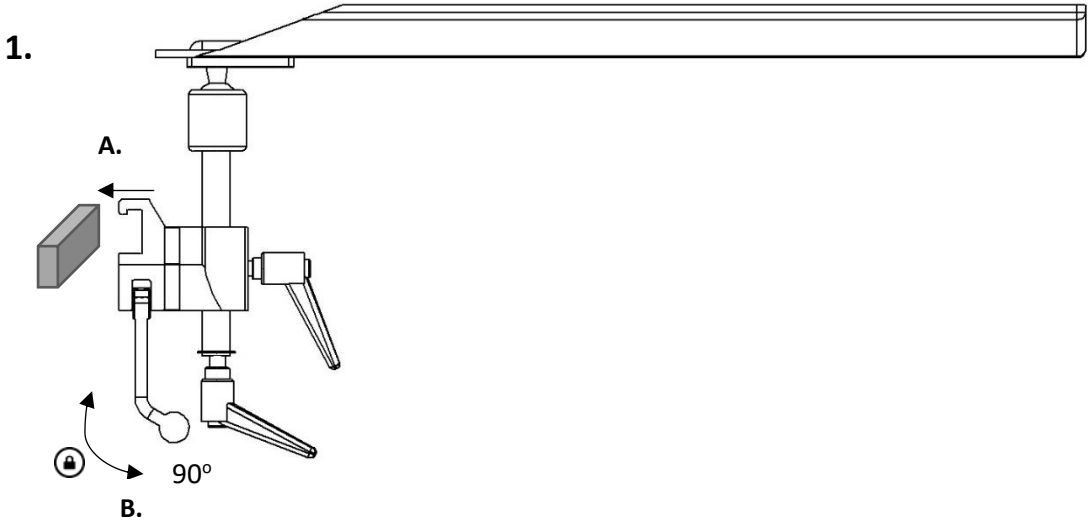
Remove the armboard or secure it over the operating table, during transport!

Service and preventive maintenance shall be performed by authorized personnel.



User instruction

Installation



Position adjustment



Maintenance



Service, preventive maintenance, adjustment and repair shall be performed by authorized personnel only. Altering the construction without a written consent from the manufacturer, is strictly forbidden.

Cleaning

Clean with antiseptic detergent with pH 6 – 8 and warm water. Ethanol can be used. Wipe dry with soft cloth. Do not use strong acidic or alkaline detergent.

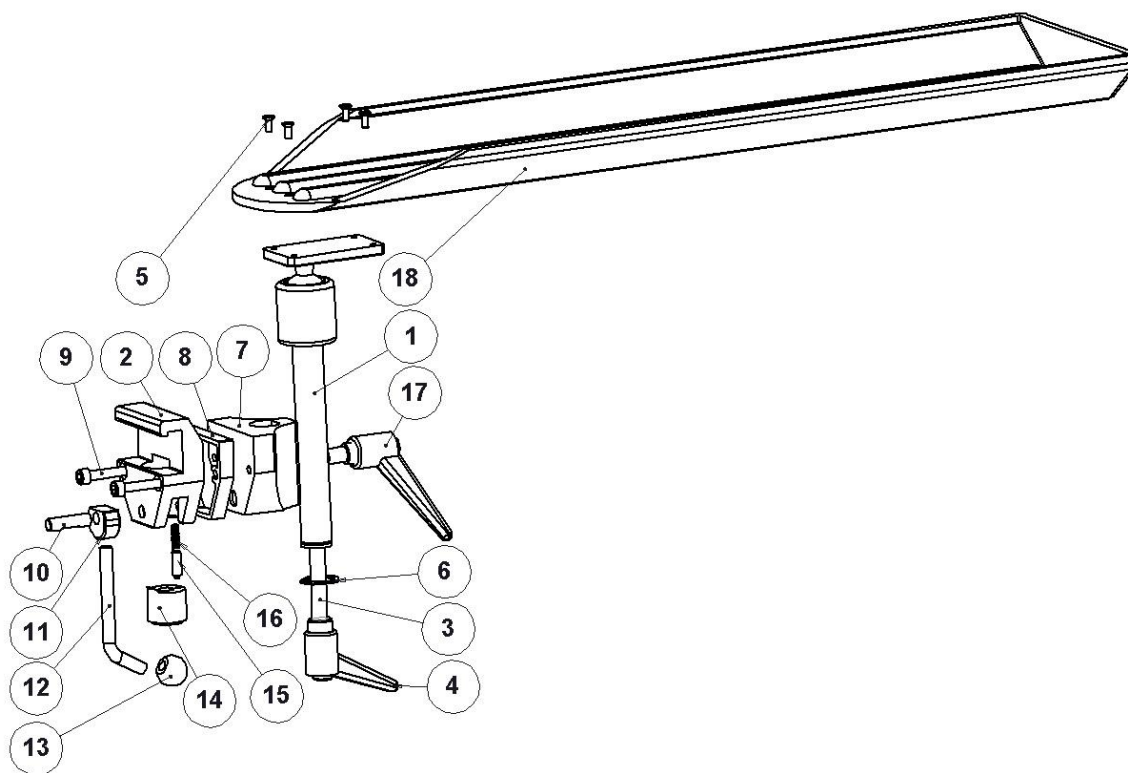
Control

Check that there are no loose parts and that there is no damage to any part. The lock function is checked by locking and unlocking the top in different positions. If a cushion is used check that it is clean and is not damaged.

Annual service

Once a year the arm board shall be carefully cleaned, moving parts shall be lubricated, the locking functions shall be tested.

Spare parts



	Version:	10-385	10-385-UK	10-380-US
	Pcs.	Article no.	Article no.	Article no.
1.	1	10242	10242	10242
2.	1	10031	10543	10547
3.	1	10892	10892	10892
4.	1	-	-	-
5.	4	-	-	-
6.	1	SGA20	SGA20	SGA20
7.	1	10053	10053	10053
8.	1	10526-A	10526-A	10526-A
9.	2	-	-	-
10.	1	10009	10009	10009
11.	1	10015	10015	10015
12.	1	10014	10014	10014
13.	1	K20M8S	K20M8S	K20M8S
14.	1	10711	10711	10711
15.	1	10012	10012	10012
16.	1	10013	10013	10013
17.	1	6.593-65	6.593-65	6.593-65
18.	1	10081	10081	10081

Accessories

Article no.	Description
10-381	Flat moulded cushion
10-382	U-shaped moulded cushion
10-381-H	Flat comfort cushion 45 mm
10-382-H	U-shaped comfort cushion 45 mm
10-382-HT	U-shaped comfort cushion 70 mm

Technical specification

Maximum work load	12 kg in even distribution, corresponding to a patient weight of 200 kg, according to EN 60601-1 and EN 60601-2	
Weight	2,1 kg	
Material armboard	Stainless steel Polycarbonate Aluminum	
Dimension (HxWxL)	320 x 170 x 635	
UDI-DI	10-385	07350111830564
	10-385-UK	07350111830571
	10-385-US	07350111830588



Reison Medical AB

Eriksbergsvägen 32A

734 92 Hallstahammar

SWEDEN

+46 (0)220 433 99 | order@reison.se | info@reison.se