

Warning! This symbol indicates important information related to safety. Follow these instructions carefully.



Read User Manual before use! It is important to fully understand the content of the user manual before attempting to use the equipment.

CE

2022-02-16

Document number: M10-380-KLEN rev.01

Intended use

Armboard intended for placing and positioning the patients arm for e.g. medication during surgery. The product is to be used by medical professionals within a medical facility.



Safety regulations

Maximum load: 12 kg in even distribution, corresponding to a patient weight of 200 kg, according to EN 60601-1 and EN 60601-2.

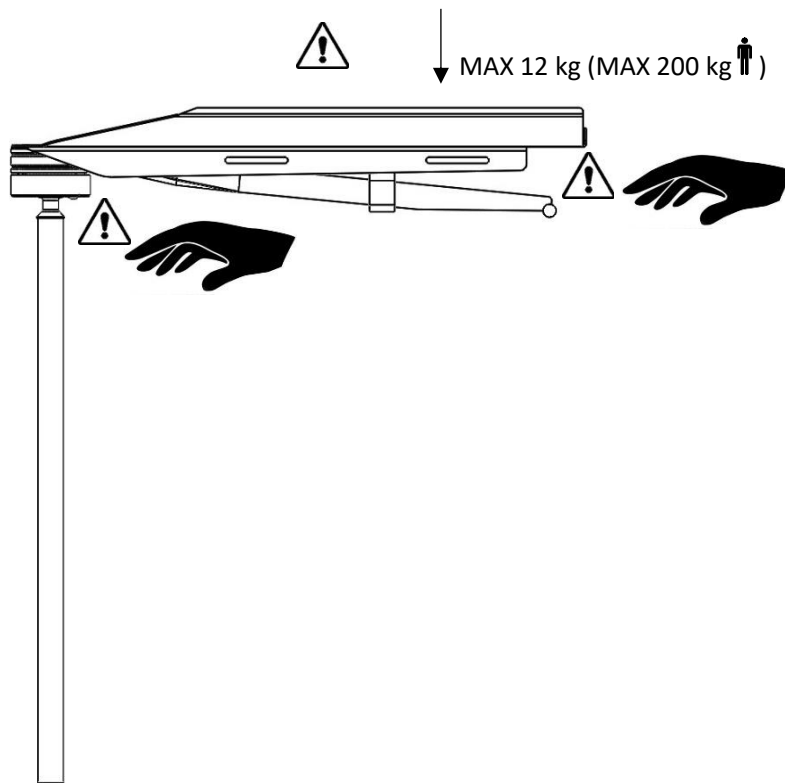
Before use, ensure correct function!

When loosening the lock lever to adjust the height, support underneath the armboard, to prevent it from uncontrolled descend into the bottom position.

Remove the armboard or secure it over the operating table, during transport!

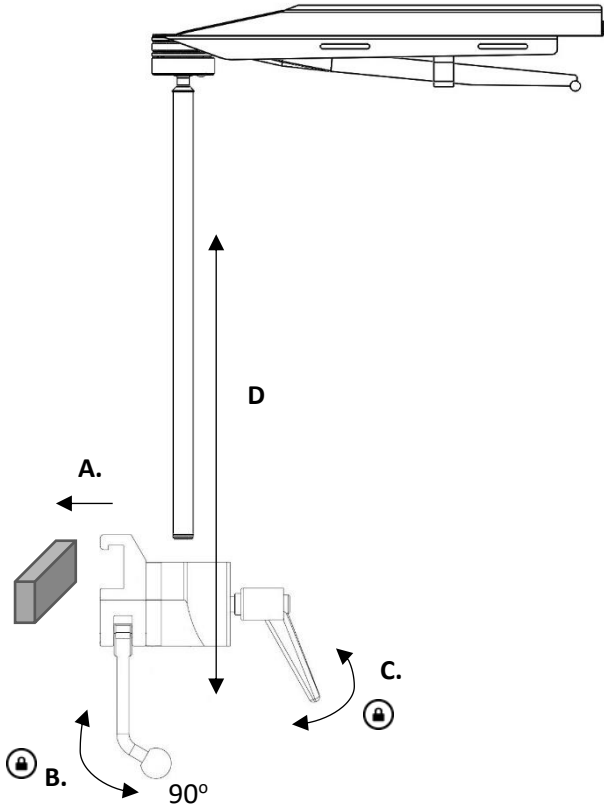
For use during diathermy procedures, the cushion must be fixed to the plate by using e.g. Velcro straps, to prevent from sliding. The complete device needs to be covered with e.g. sterile bag, to prevent the patient to come in contact with the metal parts.

Service and preventive maintenance shall be performed by authorized personnel.

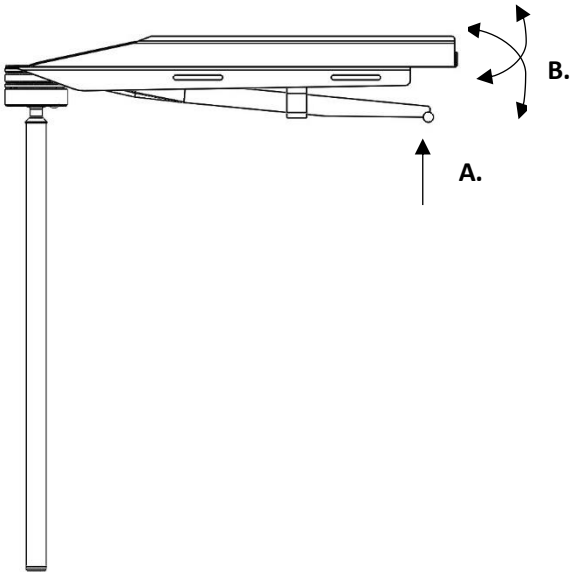


User instruction

Installation



Position adjustment



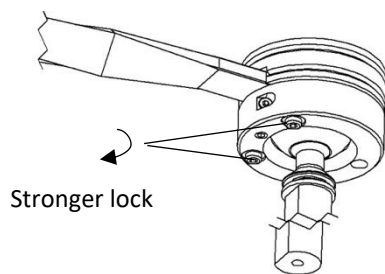
Maintenance



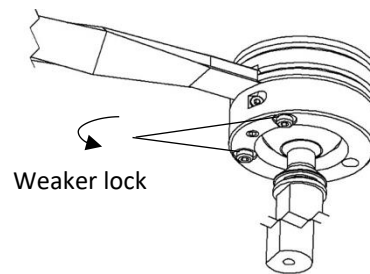
Do not place in dishwasher! The lock mechanism will be destroyed by corrosion in the ball joint. For cleaning instruction, please, read "Cleaning" in this manual.

Service, preventive maintenance, adjustment and repair shall be performed by authorized personnel only. Altering the construction without a written consent from the manufacturer, is strictly forbidden.

Adjusting the lock mechanism



Stronger lock



Weaker lock

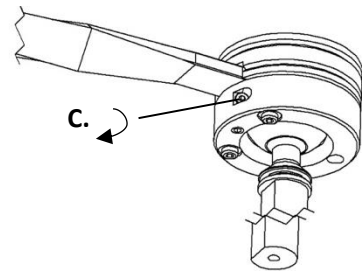
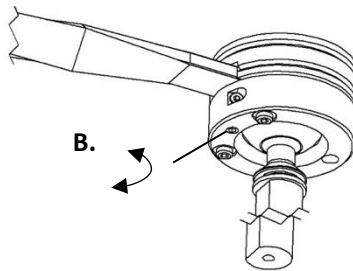
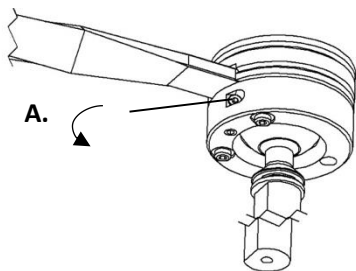
Tool: 3 mm hex key.

To turn 1/8 of a round is enough for adjustment.

Complete lock should be achieved when the lever is at rest.

Too strong lock may lead to damage in case of e.g. collision.

Adjusting the lever position



Tool: 3 mm hex key.

Cleaning

Clean with antiseptic detergent with pH 6 – 8 and warm water. Ethanol can be used. Wipe dry with soft cloth. Do not use strong acidic or alkaline detergent.



To avoid malfunction do not use detergents in the ball joint! The oil film in the ball joint shall not be removed. Damp a soft cloth with antiseptic detergents or alcohol to clean the ball joint. Wipe it dry.

The ball joint device shall be oiled with hydraulic oil ISO VG32 or similar.

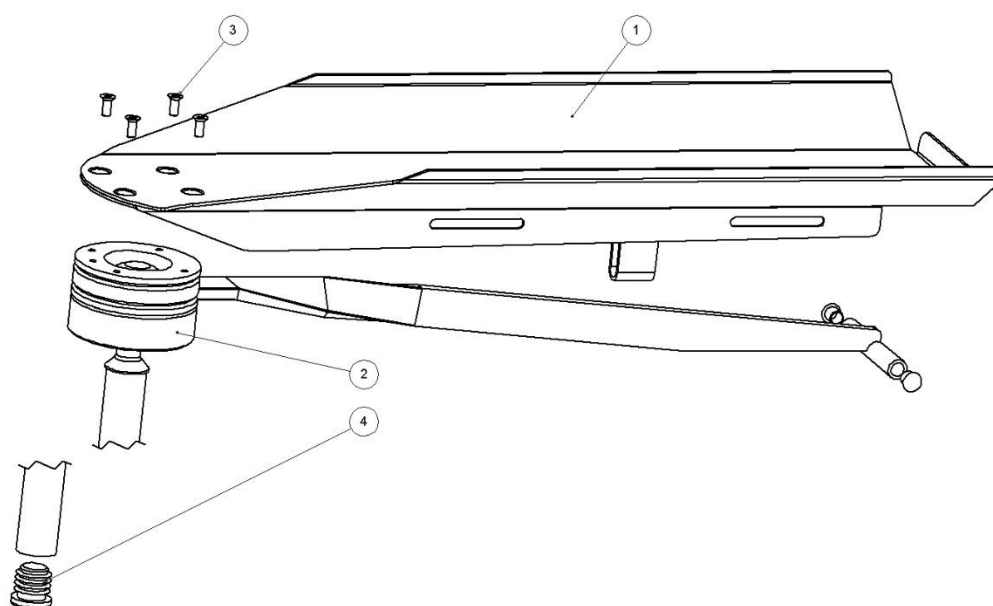
Control

Check that there are no loose parts and that there is no damage to any part. The lock function is checked by locking and unlocking the top in different positions. If a cushion is used check that it is clean and is not damaged.

Annual service

Once a year the arm board shall be carefully cleaned, moving parts shall be lubricated, the locking function shall be tested and, if necessary, the ball joint shall be adjusted.

Spare parts



	Description	Pcs.	Article no.
1.	Plate	1	10514
2.	Ball joint locking device	1	11914
3.	Screw MFX-Z A4-70 M4x10	1	-
4.	Plastic plug IKP 2015S	2	-

Accessories

Article no.	Description
10-382-K	U-shaped comfort cushion short
10-383	Armboard strap
10-383-L	Armboard strap long

Technical specification

Maximum workload	12 kg in even distribution, corresponding to a patient weight of 200 kg, according to EN 60601-1 and EN 60601-2
Weight	3,1 kg
Dimension (H x W x L)	540 x 165 x 460 mm
Material armboard	Stainless steel
UDI-DI	07350111830427



Reison Medical AB

Eriksbergsvägen 32A

734 92 Hallstahammar

SWEDEN

+46 (0)220 433 99 | order@reison.se | info@reison.se