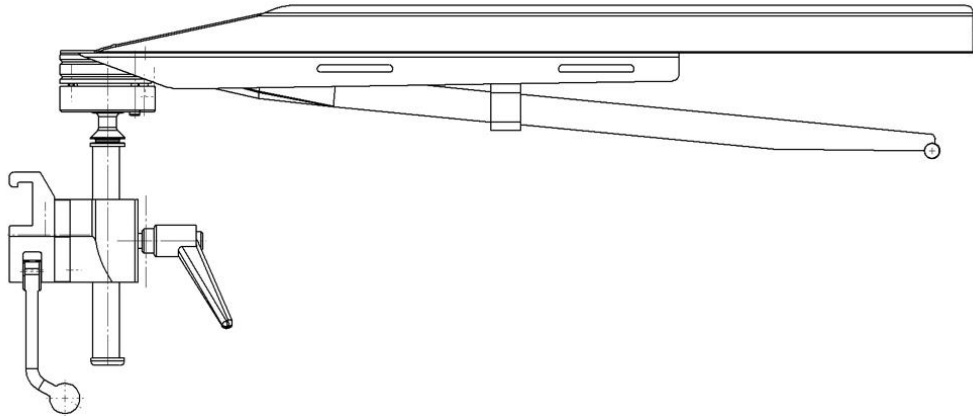


Armboard 10-380 including versions



Version	Description
10-380	10 mm spacer, clamp (EU 25x10 mm rail) and curved plate
10-380-UK	10 mm spacer, clamp (UK 1¼" x ¼" rail) and curved plate
10-380-US	10 mm spacer, clamp (US 1½" x ⅜" rail) and curved plate
10-380-K	10 mm spacer, clamp (EU 25x10 mm rail) and short curved plate
10-380-UK-K	10 mm spacer, clamp (UK 1¼" x ¼" rail) and short curved plate
10-380-K-US	10 mm spacer, clamp (US 1½" x ⅜" rail) and short curved plate
10-380-F	10 mm spacer, adapted clamp (EU 25x10 mm rail) and curved plate
10-380-F-US	10 mm spacer, adapted clamp (US 1½" x ⅜" rail) and curved plate
10-380-L	10 mm spacer, clamp (EU 25x10 mm rail) and curved plate, long post
10-380-L-UK	10 mm spacer, clamp (UK 1¼" x ¼" rail) and curved plate, long post
10-380-L-US	10 mm spacer, clamp (US 1½" x ⅜" rail) and curved plate, long post
10-380-M	30 mm spacer, clamp (EU 25x10 mm rail) and flat plate
10-380-M-UK	30 mm spacer, clamp (UK 1¼" x ¼" rail) and flat plate
10-380-M-US	30 mm spacer, clamp (US 1½" x ⅜" rail) and flat plate
10-380-M10	10 mm spacer, clamp (EU 25x10 mm rail) and flat plate
10-380-S30	30 mm spacer, clamp (EU 25x10 mm rail) and curved plate



Warning! This symbol indicates important information related to safety. Follow these instructions carefully.



Read User Manual before use! It is important to fully understand the content of the user manual before attempting to use the equipment.



2021-11-30

Document number: M10-380EN rev.02

Intended use

Armboard intended for placing and positioning the patients arm for e.g. medication during surgery.
The product is to be used by medical professionals within a medical facility.



Safety regulations

Maximum load: 12 kg in even distribution, corresponding to a patient weight of 200 kg, according to EN 60601-1 and EN 60601-2.

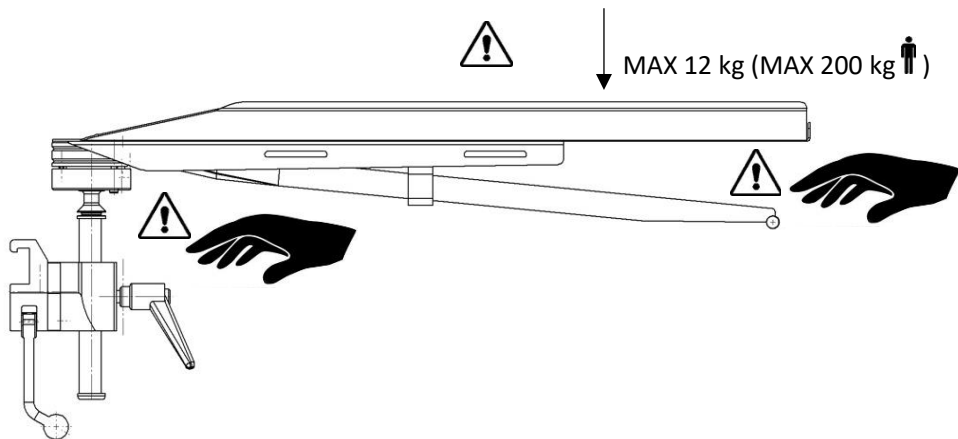
Before use, ensure correct function!

When loosening the lock lever to adjust the height, support underneath the armboard, to prevent it from uncontrolled descend into the bottom position.

Remove the armboard or secure it over the operating table, during transport!

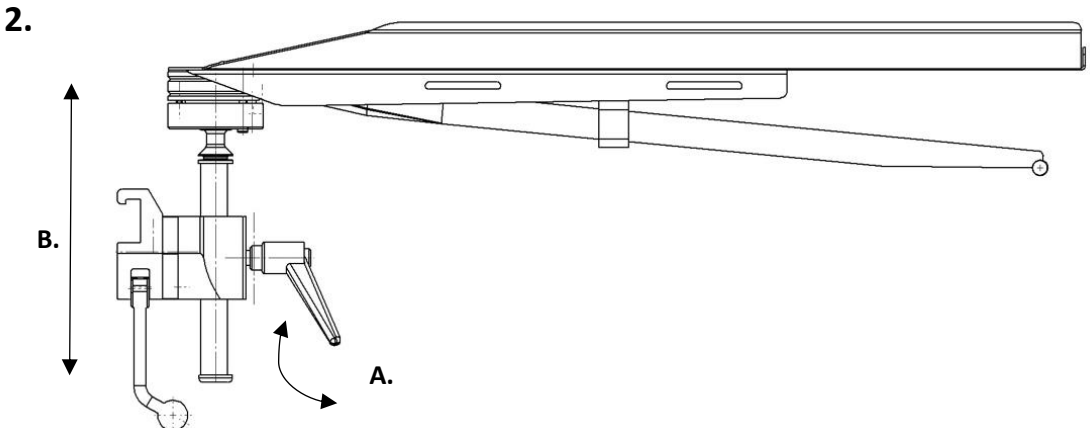
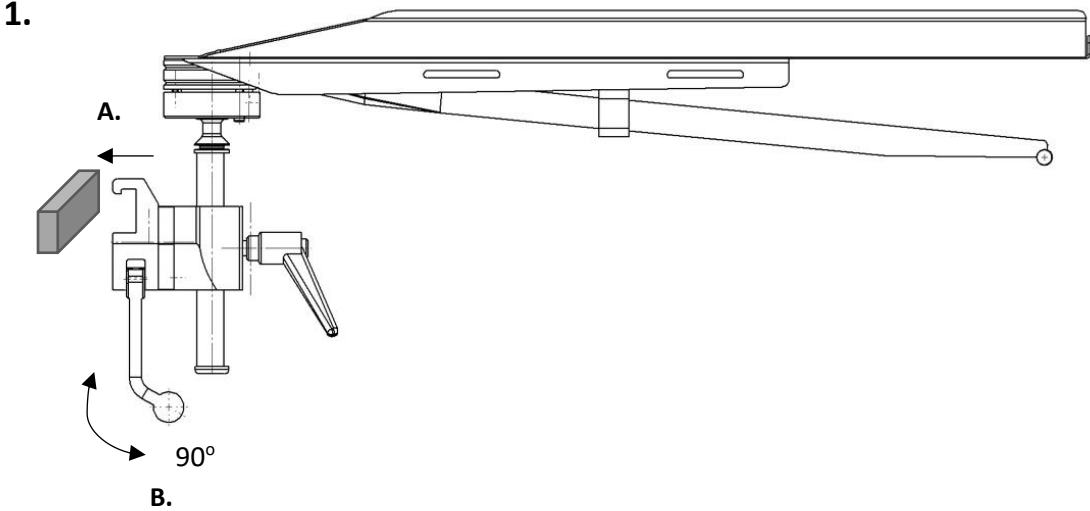
For use during diathermy procedures, the cushion must be fixed to the plate by using e.g. Velcro straps, to prevent from sliding. The complete device needs to be covered with e.g. sterile bag, to prevent the patient to come in contact with the metal parts.

Service and preventive maintenance shall be performed by authorized personnel.

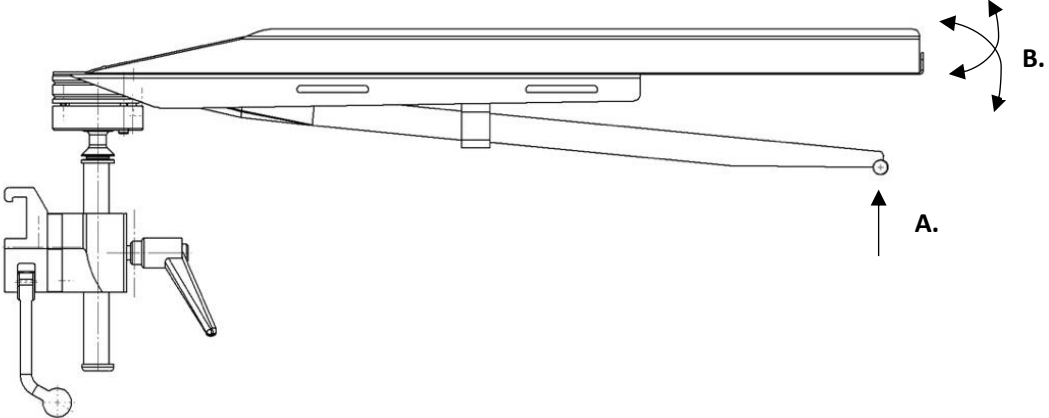


User instructions

Installation



Position adjustment



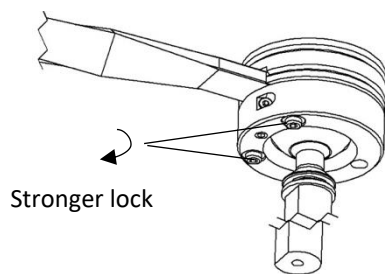
Maintenance



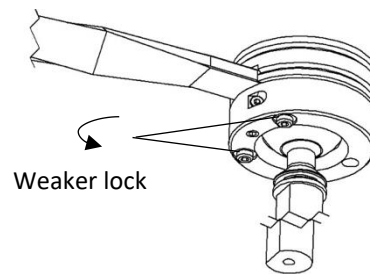
Do not place in dishwasher! The lock mechanism will be destroyed by corrosion in the ball joint. For cleaning instruction, please, read "Cleaning" in this manual.

Service, preventive maintenance, adjustment and repair shall be performed by authorized personnel only. Altering the construction without a written consent from the manufacturer, is strictly forbidden.

Adjusting the lock mechanism



Stronger lock



Weaker lock

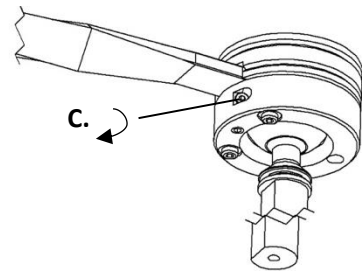
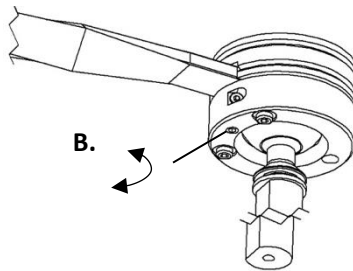
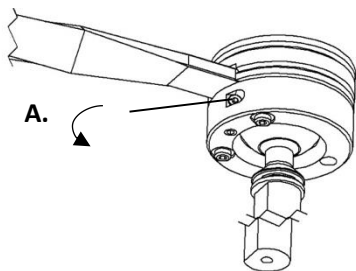
Tool: 3 mm hex key.

To turn 1/8 of a round is enough for adjustment.

Complete lock should be achieved when the lever is at rest.

Too strong lock may lead to damage in case of e.g. collision.

Adjusting the lever position



Tool: 3 mm hex key.

Cleaning

Clean with antiseptic detergent with pH 6 – 8 and warm water. Ethanol can be used. Wipe dry with soft cloth. Do not use strong acidic or alkaline detergent.



To avoid malfunction do not use detergents in the ball joint! The oil film in the ball joint shall not be removed. Damp a soft cloth with antiseptic detergents or alcohol to clean the ball joint. Wipe it dry.

The ball joint device shall be oiled with hydraulic oil ISO VG32 or similar.

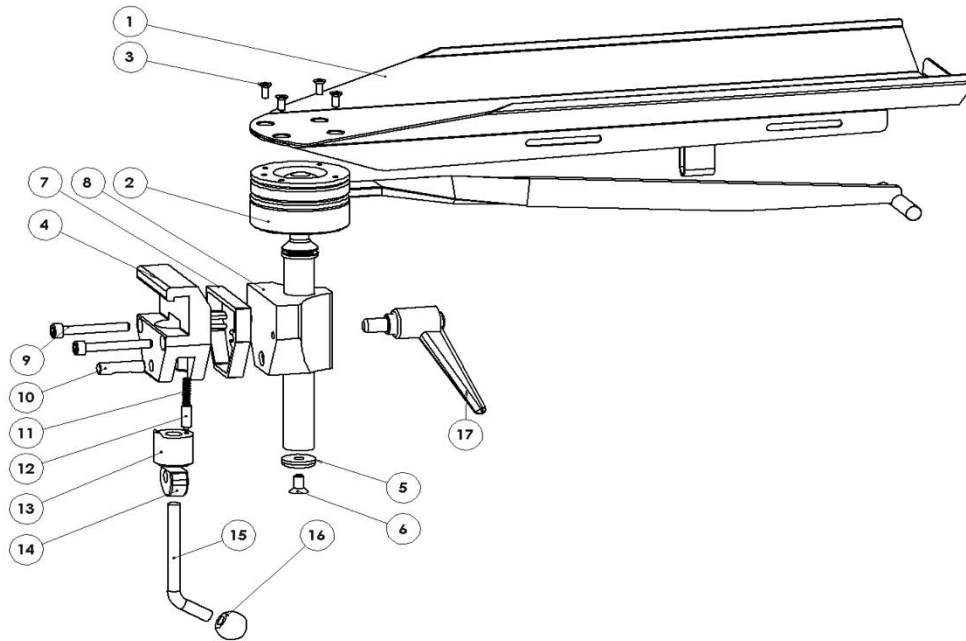
Control

Check that there are no loose parts and that there is no damage to any part. The lock function is checked by locking and unlocking the top in different positions. If a cushion is used check that it is clean and is not damaged.

Annual service

Once a year the arm board shall be carefully cleaned, moving parts shall be lubricated, the locking function shall be tested and, if necessary, the ball joint shall be adjusted.

Spare parts



Description	Version:								
	10-380	10-380-K	10-380-F	10-380-L	10-380-M	10-380-M10	10-380-S30		
Pcs.	Article no.	Article no.	Article no.	Article no.	Article no.	Article no.	Article no.	Article no.	
1. Plate	1	10020	10514	10020	10020	10050	10050	10020	
2. Ball joint locking device	1	10021	10518	10021	10021-L	10021	10021	10021	
3. Screw MFX-Z A4-70 M4x10	4	-	-	-	-	-	-	-	
4. Clamp body	1	EU:10031 US:10547 UK:10543	EU:10031 US:10547 UK:10543	EU:10031 US:10547	EU:10031 US:10547 UK:10543	EU:10031 US:10547 UK:10543	10031	10031	
5. Washer	1	10004	10004	10004	10004	10004	10004	10004	
6. Screw MF6S M&x12 A2	1	-	-	-	-	-	-	-	
7. Spacer	1	10526-A	10526-A	10526-A	10526-A	10526-30	10526-A	10526-30	
8. Guide	2	10053	10053	10212	10053	10053	10053	10053	
9. Screw MC6S M6x45 FZ	1	-	-	-	-	-	-	-	
10. Shaft	1	10009	10009	10009	10009	10009	10009	10009	
11. Spring	1	10013	10013	10013	10013	10013	10013	10013	
12. Pressure pin	1	10012	10012	10012	10012	10012	10012	10012	
13. Plunger	1	10711	10711	10711	10711	10711	10711	10711	
14. Eccentric	1	11165	11165	11165	11165	11165	11165	11165	
15. Lock lever	1	10014	10014	10014	10014	10014	10014	10014	
16. Ball	1	K20M8S	K20M8S	K20M8S	K20M8S	K20M8S	K20M8S	K20M8S	
17. Adjustable lock lever	1	6-593-65	6-593-65	6-593-65	6-593-65	6-593-65	6-593-65	6-593-65	

Accessories

		Armboard:	10-380	10-380-K	10-380-F	10-380-L	10-380-M	10-380-M10	10-380-S30
Article no.	Description								
10-181	Flat comfort cushion						x	x	
10-182	U-shaped comfort cushion						x	x	
10-381	Flat moulded cushion	x		x	x				x
10-382	U-shaped moulded cushion	x		x	x				x
10-382-H	U-shaped comfort cushion 45 mm	x		x	x				x
10-382-HT	U-shaped comfort cushion 70 mm	x		x	x				x
10-382-K	U-shaped comfort cushion short		x						
10-383	Armboard strap	x	x	x	x	x	x	x	x
10-383-L	Armboard strap long	x	x	x	x	x	x	x	x

Technical specification

Maximum work load	12 kg in even distribution, corresponding to a patient weight of 200 kg, according to EN 60601-1 and EN 60601-2
Weight	4,3 kg
Material armboard	Stainless steel

Version	UDI-DI	Dimension (H x W x L)
10-380	07350111830359	220 x 180 x 670 mm
10-380-UK	07350111830540	220 x 180 x 670 mm
10-380-US	07350111830557	220 x 180 x 670 mm
10-380-K	07350111830397	220 x 180 x 520 mm
10-380-UK-K	07350111830366	220 x 180 x 520 mm
10-380-K-US	07350111830441	220 x 180 x 520 mm
10-380-F	07350111832827	220 x 180 x 670 mm
10-380-F-US	07350111832834	220 x 180 x 670 mm
10-380-L	07350111830458	400 x 180 x 670 mm
10-380-L-UK	07350111830465	400 x 180 x 670 mm
10-380-L-US	07350111830472	400 x 180 x 670 mm
10-380-M	07350111830489	220 x 180 x 670 mm
10-380-M-UK	07350111830502	220 x 180 x 670 mm
10-380-M-US	07350111830519	220 x 180 x 670 mm
10-380-M10	07350111830496	220 x 180 x 670 mm
10-380-S30	07350111830526	220 x 180 x 670 mm



Reison Medical AB
Eriksbergsvägen 32A
734 92 Hallstahammar
SWEDEN

+46 (0)220 433 99 | order@reison.se | info@reison.se