

Warning! This symbol indicates particularly important safety information. Follow these instructions carefully.



Read the user manual before using the product! It is important that you fully understand the instructions before use of the equipment.

**CE**

2023-09-11

Document number: M10-373 Soft EN rev.01

## Intended use

The leg strap is intended to fix the patient's legs when the patient is lying on the operating table. By preventing the patient from moving during the operation, injuries to the patient can be avoided.



## Safety regulations

Carry out a function check before each use!

The locking function must be checked before each use.

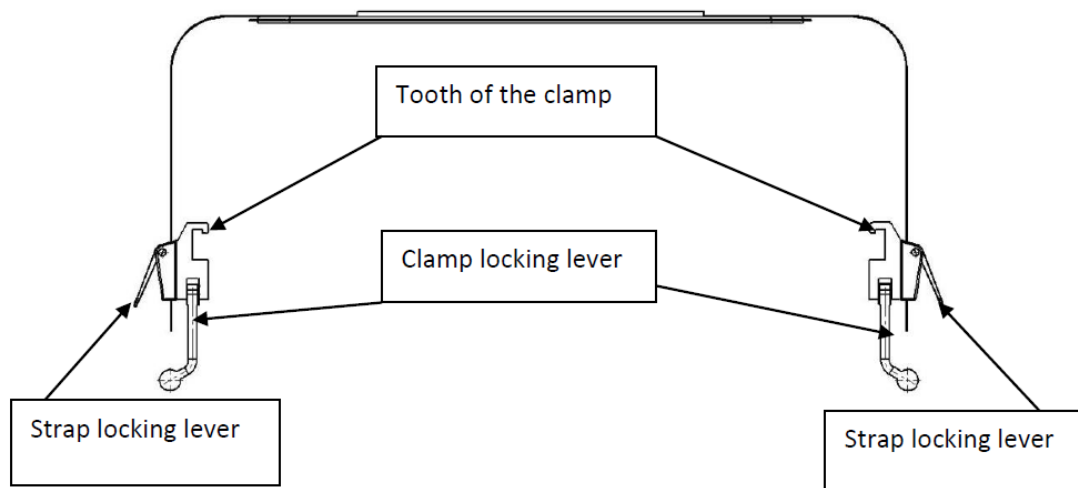
Service and preventive maintenance service must be performed by authorized personnel.

**ATTENTION!** None of the locking levers should be released, either on strap locks or clamps, while a patient is restrained. Exceptions can be made when the patient is not at risk of injury or can be held in place in another way.

## User instruction

### Installation

When unpacking, check that the leg strap is undamaged and that all accessories are included. The packaging consists of recyclable corrugated cardboard and plastic.



The clamps are hooked onto the accessory rail of the operating table. Make sure the teeth of the clamps engage properly on the back of the rail. Then lock the clamp by turning the locking lever 90° to the left or right. It should click when the locking lever reaches its locked position.

When the clamps are locked onto the accessory rail, the patient's leg can be fixed using the strap. Start by locking the strap on one side. Make sure the strap lock lever is in the up position and feed the strap through the slot under the lock lever. Then lock the strap by lowering the locking lever to the bottom position. Then pull the strap over the patient's legs and insert it through the slot under the second locking lever. Tighten the strap as tight as required and lock it by pushing the locking lever down to the bottom position.

## **Maintenance**

Service, preventive maintenance, adjustments and repairs may only be carried out by personnel trained for the purpose. Modification of any part of the construction without the written consent of the manufacturer is strictly prohibited. Violation may be punished.

## **Cleaning**

Clean with antiseptic soap detergent with pH 6 - 8 and warm water. Ethanol can be used if needed. Dry with a soft cloth. Do not use detergents containing strong acids or bases.

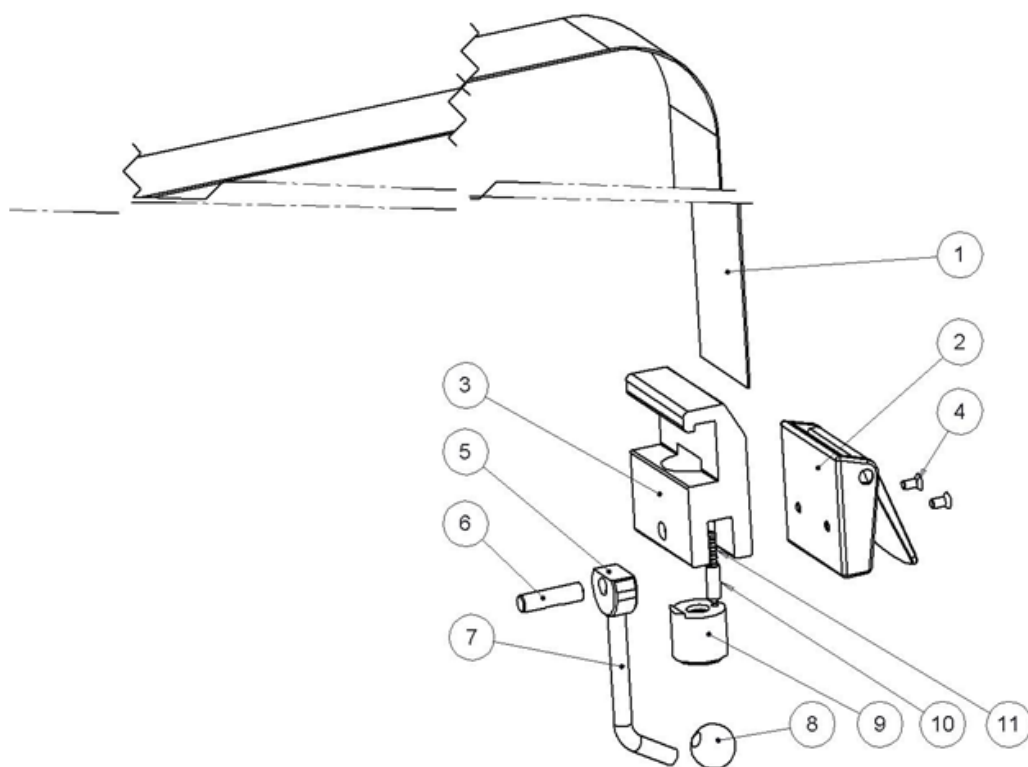
## **Control**

Check that there is no damage to the clamp and the belt. Check the function of the locking. A worn belt must be replaced.

## **Annual service**

Every year, the leg strap and the hoof must undergo a thorough cleaning. Moving parts and threads must be lubricated with waterproof grease. The locking functions must be checked and worn parts replaced.

## Spare parts



No.	Description	Quantity	Article no.
1.	Strap + padding	1	11007 + 11301
2.	Band lock smst.	2	10944
3.	House for clamp	2	10074
4.	Screw MKFT M4x8 A2	4	-
5.	Eccentric	2	11165
6.	Axis	2	10009
7.	Handle	2	10014
8.	Ball K20 M8 S	2	-
9.	Spring pack	2	
10.	Push pin	2	10012
11.	Compression spring	2	10013

## Technical specification

Weight	1 kg
Material	Stainless steel Polyester
Dimensions:	
Length, strap	170 cm
Length, padding	54 cm
Width, padding	12 cm
Width, claw:	6 cm
UDI-DI	07350111832841

