

Warning! This symbol indicates important information related to safety. Follow these instructions carefully.



Read User Manual before use! It is important to fully understand the content of the user manual before attempting to use the equipment.

CE

2020-10-X30

Document number: M10-370EN rev.01

Intended use

Wrist clamp intended for fixation of patient lower arm during surgery. The product is to be used by medical professionals within a medical facility.



Safety regulations

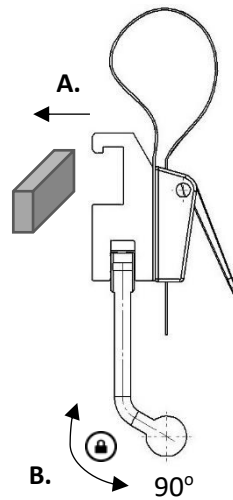
Maximum load: 40 kg with retained safety factor according to EN 60601-1 och EN 60601-2.

Before use, ensure correct function!

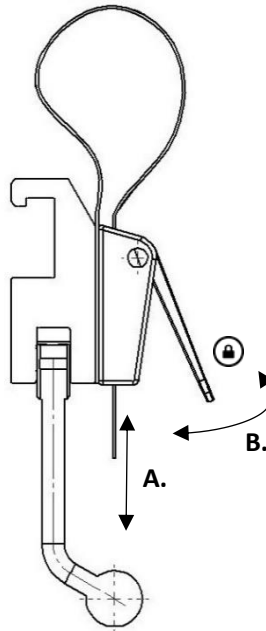
Service and preventive maintenance shall be performed by authorized personnel.

User instruction

Installation



Strap adjustment



Maintenance

Service, preventive maintenance, adjustment and repair shall be performed by authorized personnel only. Altering the construction without a written consent from the manufacturer, is strictly forbidden.

Cleaning

Clean with antiseptic detergent with pH 6 – 8 and warm water. Ethanol can be used on metal surfaces. Wipe dry with soft cloth. Do not use strong acidic or alkaline detergent.

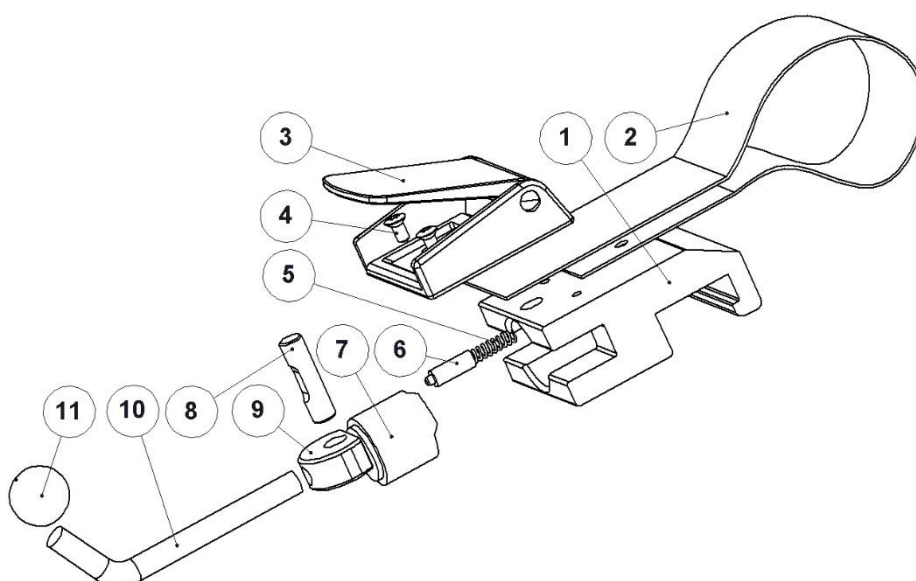
Control

Check that there is no damage to any part of the wrist clamp. Check the locking functions of the clamp and strap.

Annual service

Once a year the wrist strap shall be carefully cleaned, moving parts shall be lubricated, the locking function shall be tested.

Spare parts



No.	Description	Pcs	Article no.
1.	Clamp housing	1	10074
2.	Strap	1	10096
3.	Strap lock	1	10944
4.	Screw MKFT M4x8 A2	2	-
5.	Spring	1	10013
6.	Pressure pin	1	10012
7.	Plunger	1	10711
8.	Shaft	1	10009
9.	Eccentric	1	11165
10.	Lever	1	10014
11.	Ball	1	K20M8S

Technical specification

Maximum workload	40 kg with retained safety factor according to EN 60601-1 och EN 60601-2
Weight	0,4 kg
Dimension (H x W x L)	70-160 x 55 x 60 mm
UDI-DI	07350111832414
Material Wrist clamp	Aluminum Terylene



Reison Medical AB

Eriksbergsvägen 32A

734 92 Hallstahammar

SWEDEN

+46 (0)220 433 99 | order@reison.se | info@reison.se