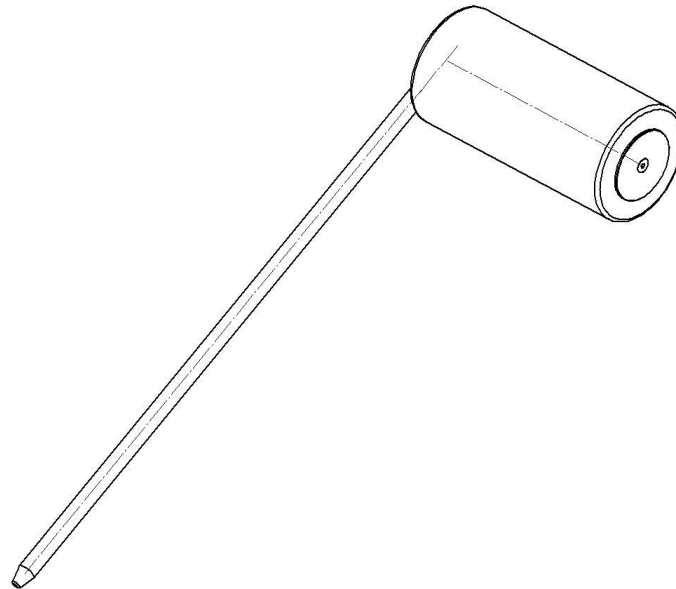


Tibia support 10-367 including versions



Version	Description
10-367	Post with 67 cm height adjustment
10-367-K	Post with 24 cm height adjustment



Warning! This symbol indicates important information related to safety. Follow these instructions carefully.



Read User Manual before use! It is important to fully understand the content of the user manual before attempting to use the equipment.

CE

2020-10-30

Dokument nummer: M10-367EN rev.01

Intended use

Tibia support intended for support and positioning of patient knee and foot during surgery. The product is to be used by medical professionals within a medical facility.



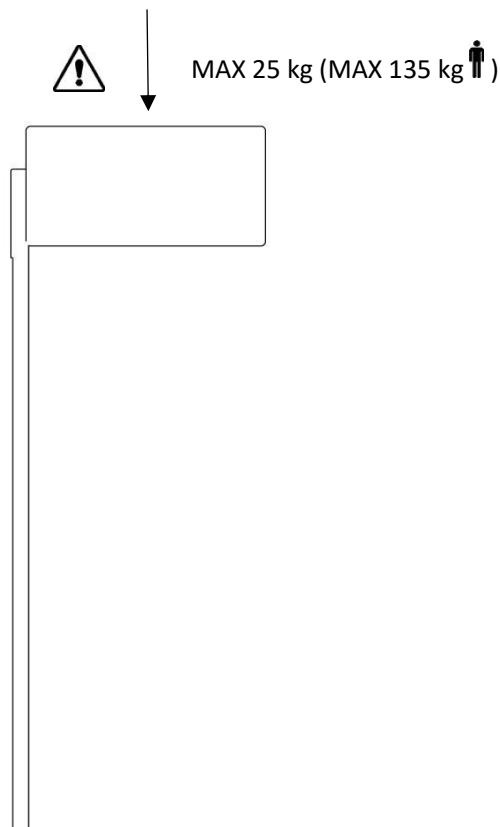
Safety regulations

Maximum load: 25 kg, corresponding to a patient weight of 135 kg, according to EN 60601-1 and EN 60601-2.

Before use, ensure correct function!

When loosening the lock lever to adjust the position, support underneath the tibia support, to prevent it from uncontrolled descend into the bottom position.

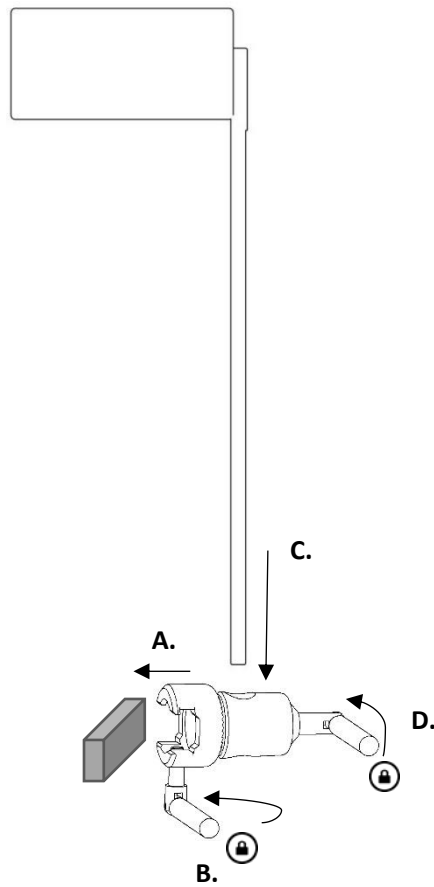
Service and preventive maintenance shall be performed by authorized personnel.



User instruction



Installation



Maintenance

Service, preventive maintenance, adjustment and repair shall be performed by authorized personnel only. Altering the construction without a written consent from the manufacturer, is strictly forbidden.

Cleaning

Clean with antiseptic detergent with pH 6 – 8 and warm water. Ethanol can be used on metal surfaces. Wipe dry with soft cloth. Do not use strong acidic or alkaline detergent.

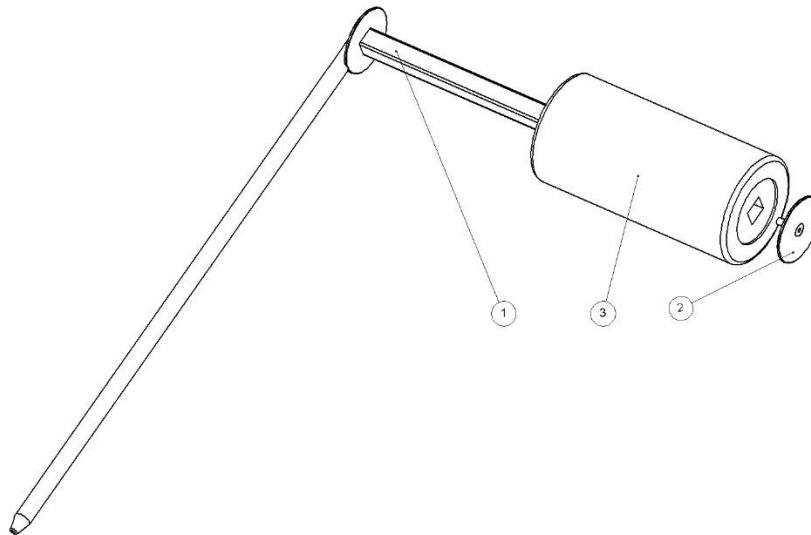
Control

Check that there are no loose parts and that there is no damage to any part. Check that the cushion is clean and is not damaged.

Annual service

Once a year the tibia support shall be carefully cleaned.

Spare parts





Description	Version: 10-367		10-367-K
	Pcs.	Article no.	Article no.
1. Stand	1	11174	11518
2. Outer disk	1	11173	11173
3. Cushion	1	10691	10691

Accessories

Article no.	Description
10-304-P	Radial clamp for attachment to operating table accessory rail
10-305-P	Radial clamp for attachment to operating table accessory rail

Technical specification

Material Tibia support Stainless steel
 Polyurethane

Version	UDI-DI	Maximum workload	Weight	Dimension (H x W)
10-367	07350111831547	25 kg (MAX 135 kg )	2,5 kg	820 x 300 mm
10-367-K	07350111831554	40 kg (MAX 215 kg )	2,4 kg	400 x 300 mm



Reison Medical AB
Eriksbergsvägen 32A
734 92 Hallstahammar
SWEDEN

+46 (0)220 433 99 | order@reison.se | info@reison.se