

Warning! This symbol indicates important information related to safety. Follow these instructions carefully.



Read User Manual before use! It is important to fully understand the content of the user manual before attempting to use the equipment.

**CE**

2022-02-08

Document number: M10-365EN rev.01

## Intended use

---

Lateral support intended for support and positioning of a patient on the operating table, during surgery. The product is to be used by medical professionals within a medical facility.



## Safety regulation

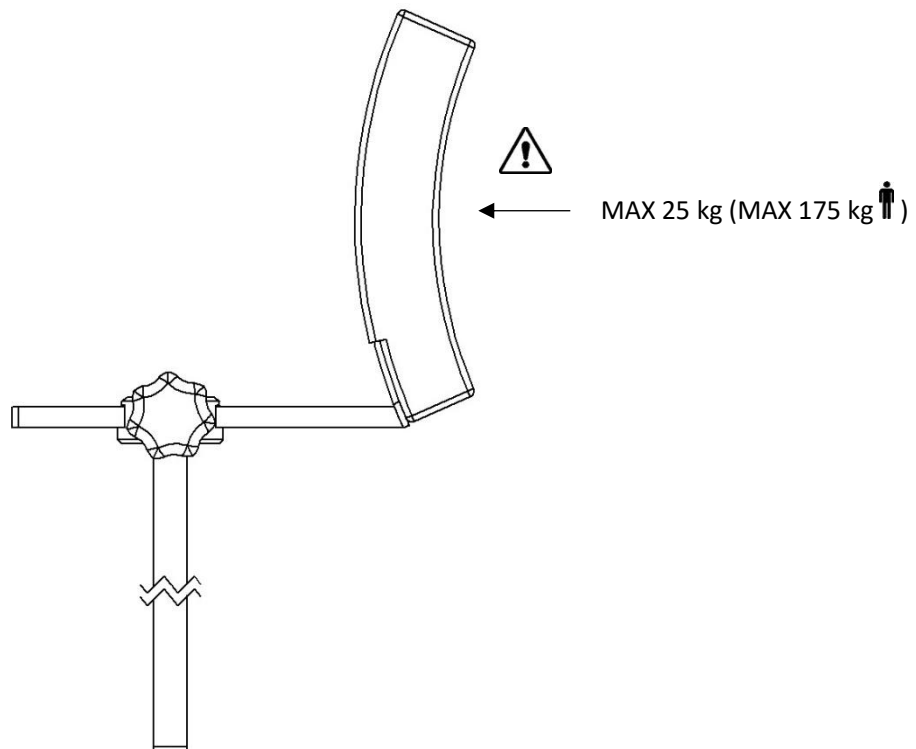
---

Maximum load: 25 kg, corresponding to a patient weight of 175 kg, according to EN 60601-1 and EN 60601-2.

Before use, ensure correct function!

When loosening the lock lever or knobs to adjust the position, support underneath the lateral support, to prevent it from uncontrolled descend into the bottom position.

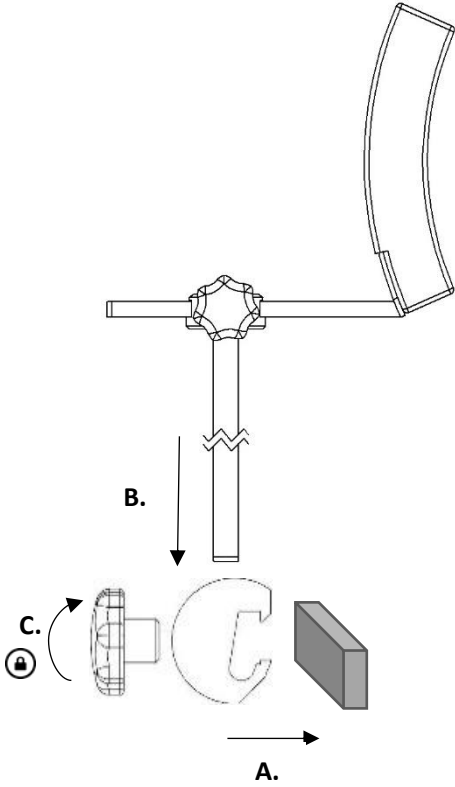
Service and preventive maintenance shall be performed by authorized personnel.



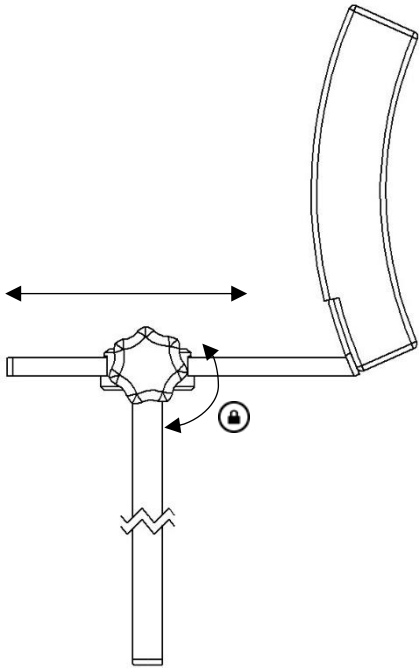
User instruction

---

Installation



Position adjustment



## Maintenance



Service, preventive maintenance, adjustment and repair shall be performed by authorized personnel only. Altering the construction without a written consent from the manufacturer, is strictly forbidden.

## Cleaning

Clean with antiseptic detergent with pH 6 – 8 and warm water. Ethanol can be used on metal surfaces. Wipe dry with soft cloth. Do not use strong acidic or alkaline detergent.

## Control

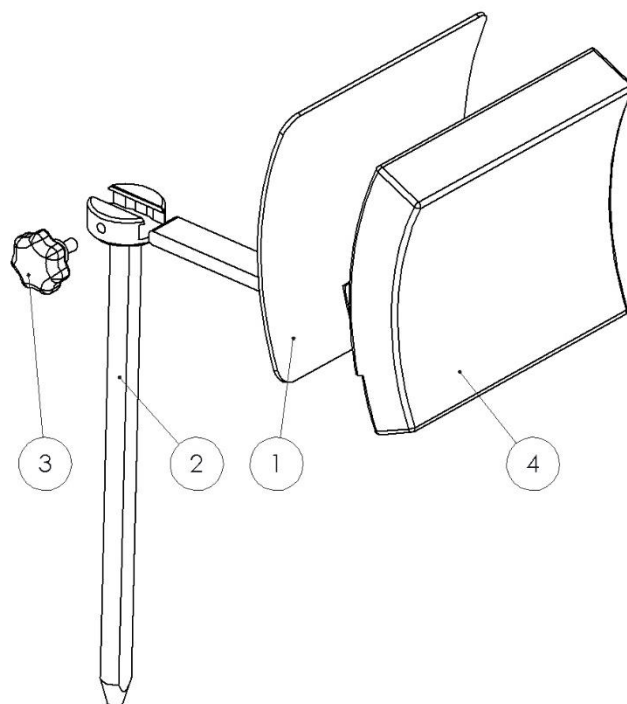
Check that there are no loose parts and that there is no damage to any part. Check that the cushion is clean and is not damaged.

## Annual service

Once a year the Lateral support shall be carefully cleaned, moving parts shall be lubricated, the locking functions shall be tested.

## Spare parts

---



	<b>Description</b>	<b>Pcs.</b>	<b>Article no.</b>
1.	Support	1	10129
2.	Post	1	10876
3.	Knob VCT 43p-M8x16	1	-
4.	Pad	1	11152

## Technical specification

---

Maximum workload	25 kg, corresponding to a patient weight of 175 kg, according to EN 60601-1 and EN 60601-2
Vikt	2,2 kg
Dimension (H x W x L)	550 x 215 x 220 mm
Lateral adjustment	120 mm
Material Lateral support	Stainless steel Polyurethane
UDI-DI	07350111831509



Reison Medical AB  
Eriksbergsvägen 32A  
734 92 Hallstahammar  
SWEDEN

+46 (0)220 433 99 | [order@reison.se](mailto:order@reison.se) | [info@reison.se](mailto:info@reison.se)