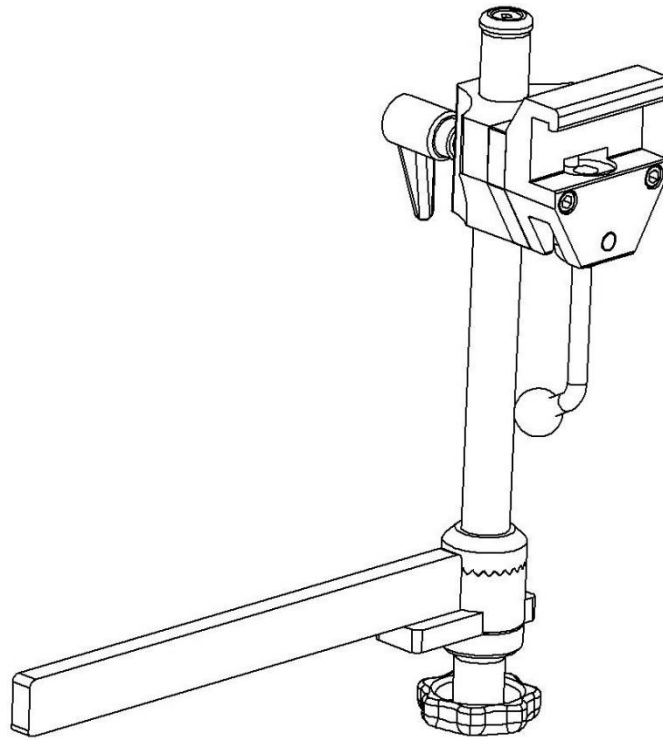


Extension rail 10-359 including versions



Version	Description
10-359	215 mm angled rail EU 25x10 mm
10-359-US	215 mm angled rail US 1 $\frac{1}{8}$ " x $\frac{3}{8}$ "
10-359-UK	215 mm angled rail UK 1 $\frac{1}{4}$ " x $\frac{1}{4}$ "



Warning! This symbol indicates important information related to safety. Follow these instructions carefully.



Read User Manual before use! It is important to fully understand the content of the user manual before attempting to use the equipment.

CE

2021-11-29

Document number: M10-359EN rev.01

Intended use

Angled extension rail intended to be attached to the accessory rails on the OR-table to enable extended space for accessories on the table. The product is to be used by medical professionals within a medical facility.

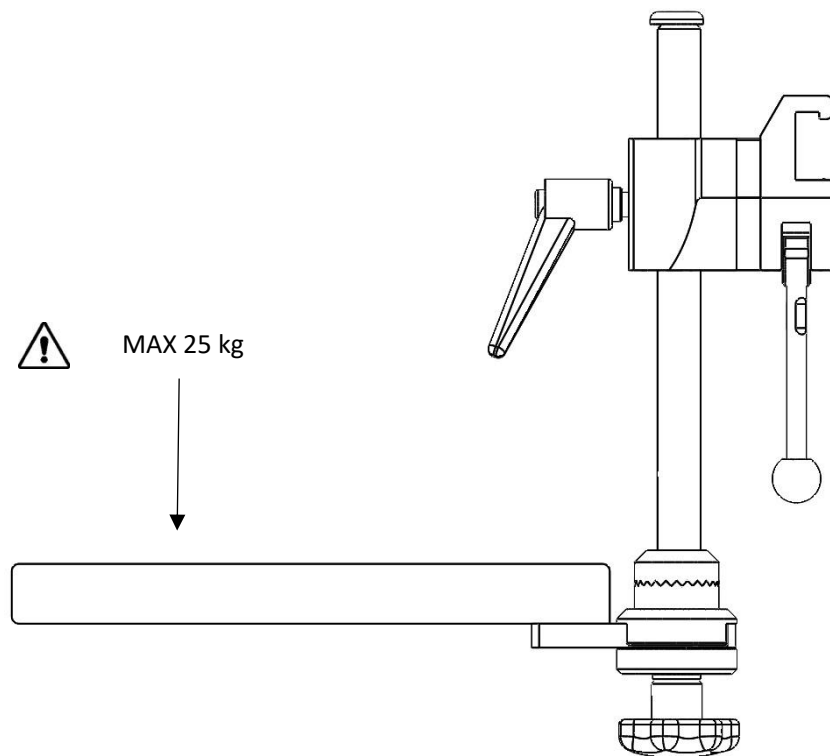


Safety regulation

Maximum load: 25 kg per rail

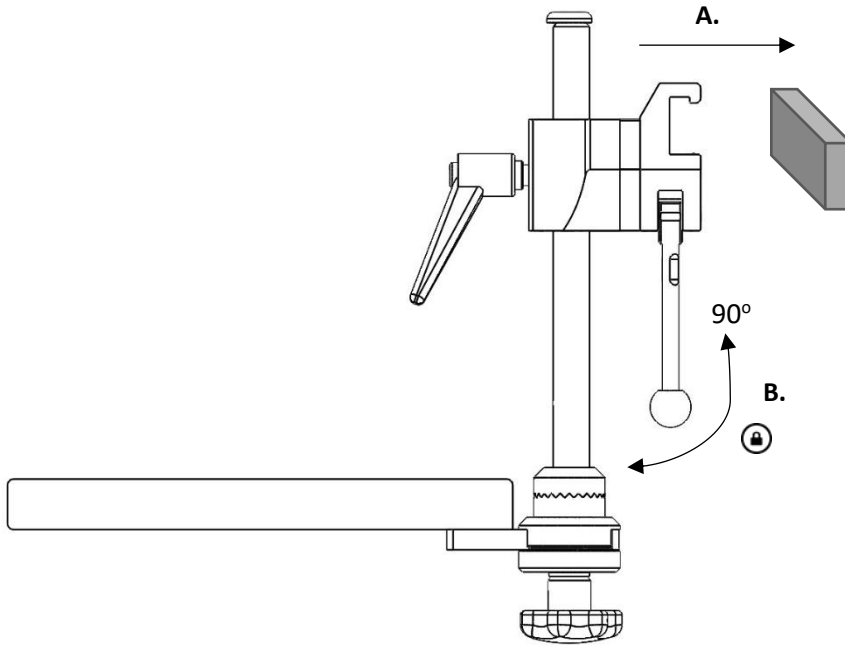
Before use, ensure correct function!

Service and preventive maintenance shall be performed by authorized personnel.

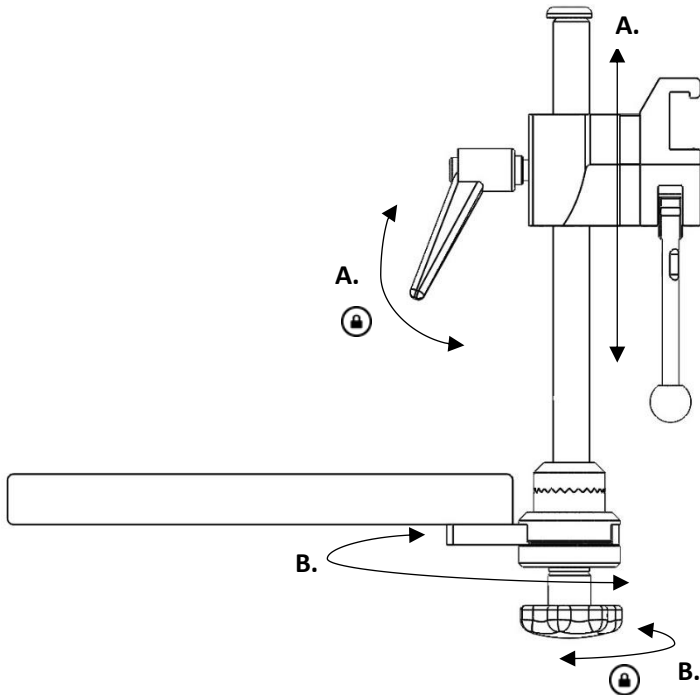


User instruction

Installation



Position adjustment



Maintenance

Service, preventive maintenance, adjustment and repair shall be performed by authorized personnel only. Altering the construction without a written consent from the manufacturer, is strictly forbidden.

Cleaning

Clean with antiseptic detergent with pH 6 – 8 and warm water. Ethanol can be used. Wipe dry with soft cloth. Do not use strong acidic or alkaline detergent.

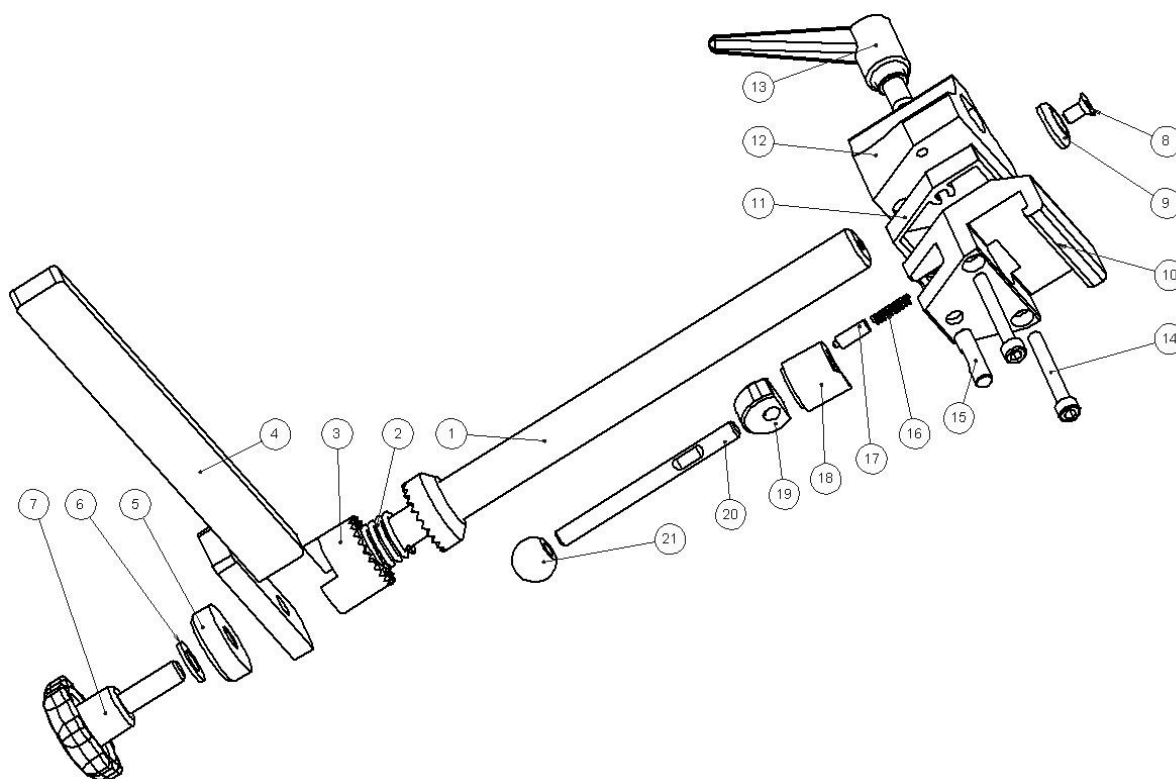
Control

Check that there is no damage to any part of the extension rail. Check the locking function.

Annual service

Once a year the extension rail shall be carefully cleaned. Threading and moving parts shall be lubricated. The locking function shall be tested.

Spare parts



	Version:	10-359	10-359-US	10-359-UK
	Description	Pcs.	Article no.	Article no.
1.	Post	1	10481	10481
2.	Spring	1	1602	1602
3.	Gear ring	1	10120	10120
4.	Rail	1	10477	11254
5.	Washer	1	10480	10480
6.	Easher BRB 10,5x20x2 Nylon	1	-	-
7.	Knob VCT 53B M10x40 Soft	1	-	-
8.	Screw MF6S M6x12 A2	1	-	-
9.	Washer	1	10004	10004
10.	House	1	10031	10547
11.	Spacer	1	10526-A	10526-A
12.	Guide	1	10053	10053
13.	Adjustable handle	1	6-593-65	6-593-65
14.	Screw MC6S M6x45 FZ	2	-	-
15.	Shaft	1	10009	10009
16.	Spring	1	10013	10013
17.	Pressure pin	1	10012	10012
18.	Plunger	1	10711	10711
19.	Eccentric	1	10015	10015
20.	Lock lever	1	10014	10014
21.	Ball	1	K20M8S	K20M8S

Technical specification

Maximum load	25 kg
Material extension rail	Stainless steel Aluminum
Weight	2,2 kg
Dimension (H x W x L)	330 x 65 x 300 mm
Vertical adjustment	165 mm
UDI-DI	10-359 07350111831769 10-359-US 07350111831783 10-359-UK 07350111831776



Reison Medical AB
Eriksbergsvägen 32A
734 92 Hallstahammar
SWEDEN

+46 (0)220 433 99 | order@reison.se | info@reison.se