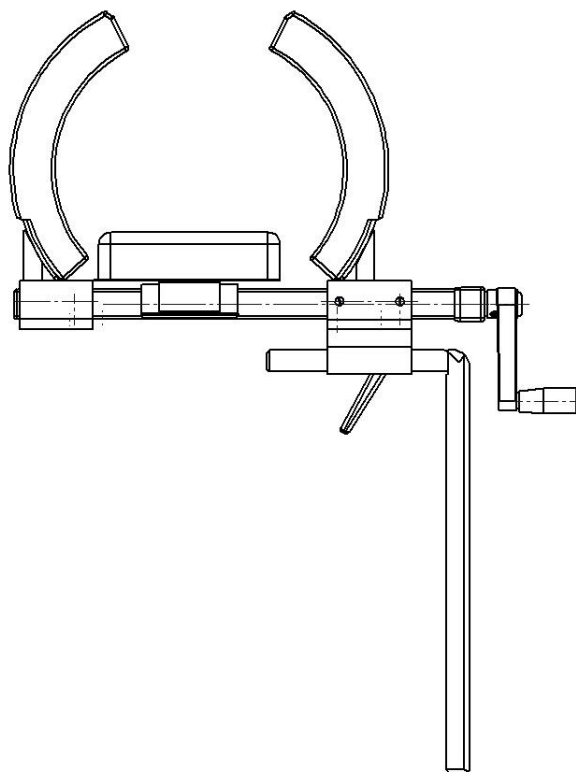


Arthroscopy support 10-353 including versions



Version	Description
10-353	Post Ø20 mm, V-shaped side
10-353-18	Post Ø18 mm
10-353-18-B	Post Ø18 mm, plane side
10-353-US	Post Ø18 mm, excl. pads
10-353-XL	Post Ø20 mm, V-shaped side. Adaptation for larger legs



Warning! This symbol indicates important information related to safety. Follow these instructions carefully.



Read User Manual before use! It is important to fully understand the content of the user manual before attempting to use the equipment.

CE

2020-10-30

Document number: M10-353EN rev.01

Intended use

Arthroscopy support for fixation and positioning of patients leg during surgery in the knee area. The product is to be used by medical professionals within a medical facility.



Safety regulation

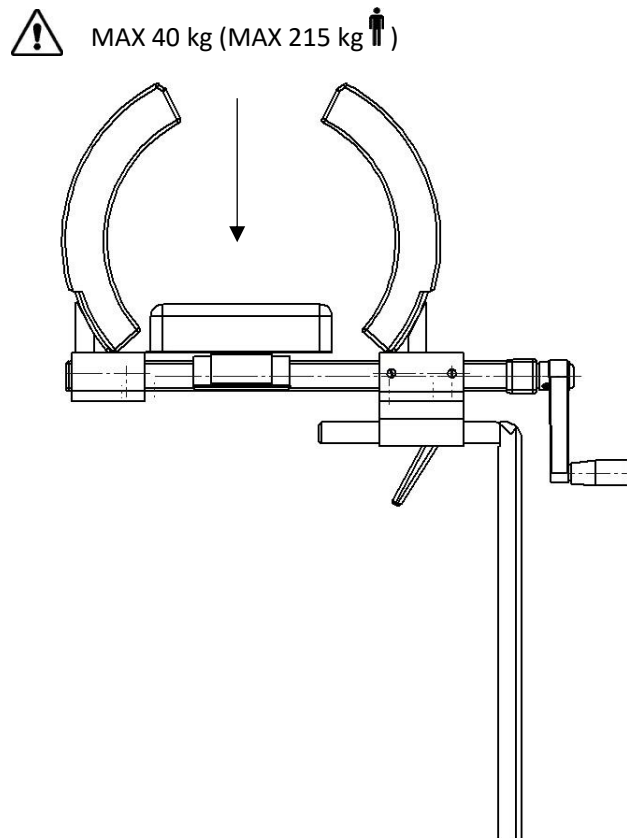
Maximum load: 40 kg, corresponding to a patient weight of 215 kg, according to EN 60601-1 and EN 60601-2.

Before use, ensure correct function!

When loosening the lock lever to adjust the positioning, support underneath, to prevent the Arthroscopy support from uncontrolled descend into the bottom position.

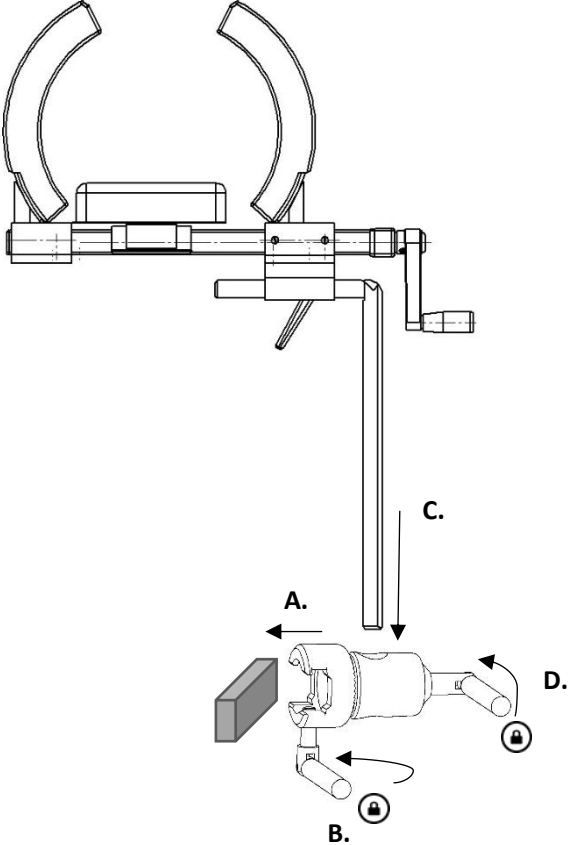
To prevent pressure injuries on the patient the pads on the vertical supports may not be compressed more than 20% when fixating the patients leg.

Service and preventive maintenance shall be performed by authorized personnel.

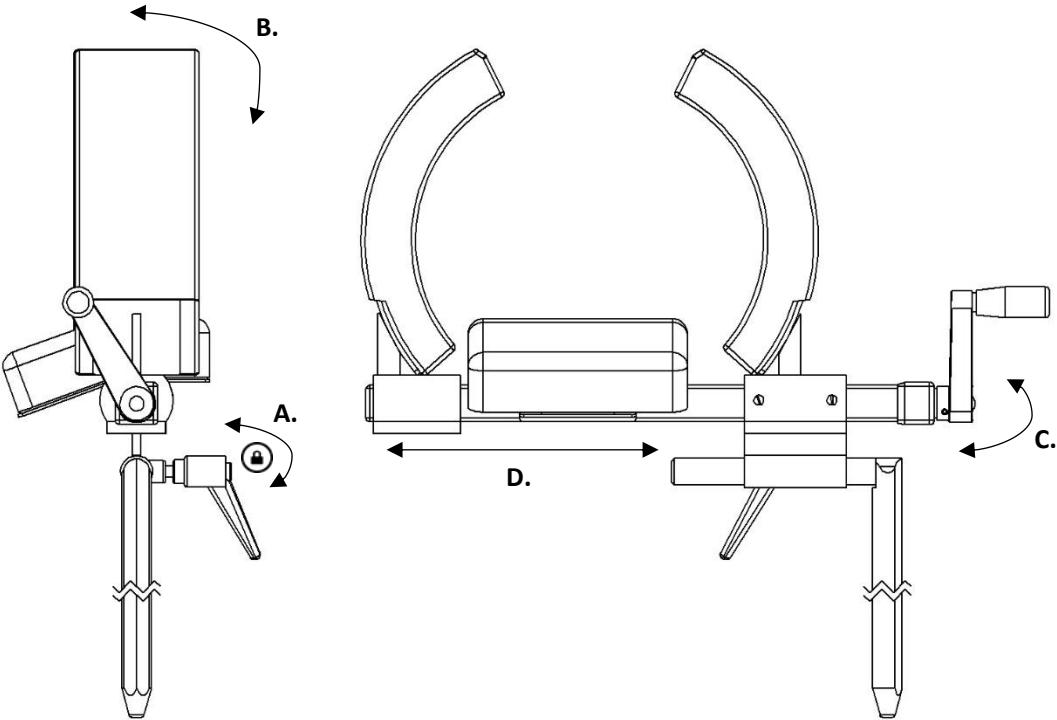


User instruction

Installation



Position adjustment



Maintenance



Service, preventive maintenance, adjustment and repair shall be performed by authorized personnel only. Altering the construction without a written consent from the manufacturer, is strictly forbidden.

Cleaning

Clean with antiseptic detergent with pH 6 – 8 and warm water. Ethanol can be used on metal surfaces. Wipe dry with soft cloth. Do not use strong acidic or alkaline detergent.

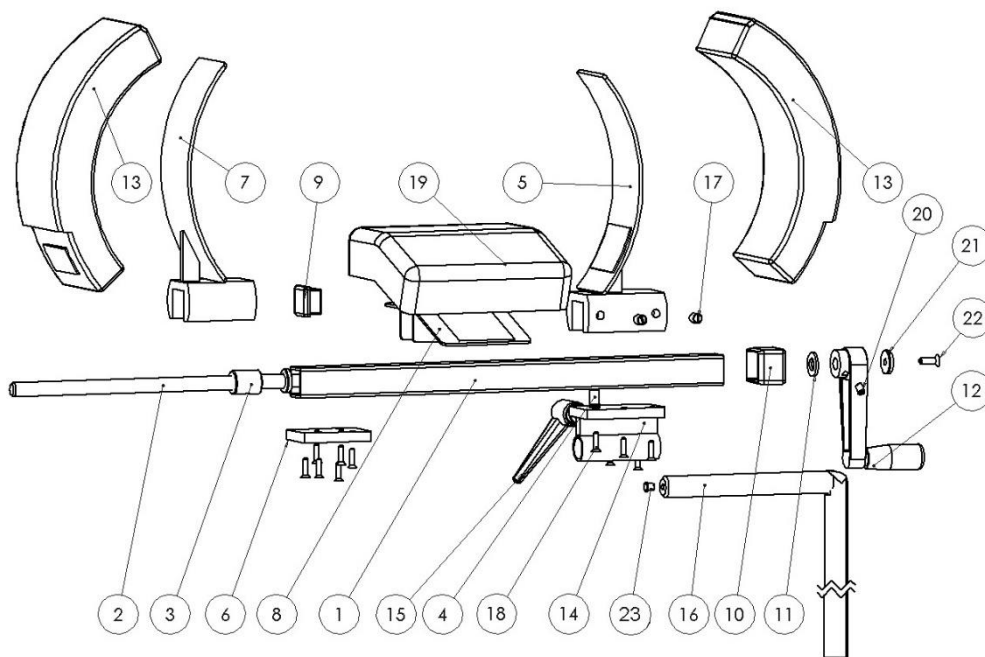
Control

Check that there are no loose parts and that there is no damage to any part. Check the lock- and positioning function of the Arthroscopy support. Check that the pads are clean and are not damaged.

Annual service

Once a year the Arthroscopy support shall be carefully cleaned, moving parts shall be lubricated, the locking- and positioning function shall be tested.

Spare parts



	Version:	10-353	10-353-18	10-353-18-B	10-353-US	10-353-XL
Description	Pcs	Article no.	Article no.	Article no.	Article no.	Article no.
1. Support tube	1	10376	10376	10376	10376	10376
2. Adjusting screw	1	10382	10382	10382	10382	10382
3. Nut	1	10383	10383	10383	10383	10383
4. Driving plate pin	1	10887	10887	10887	10887	10887
5. Support movable	1	10371	10371	10371	10371	11776
6. Lid	1	10407	10407	10407	10407	10407
7. Support fixed	1	10372	10372	10372	10372	11775
8. Pad holder	1	10442	10442	10442	10442	10442
9. Plastic plug IFR 25x25x2	1	-	-	-	-	-
10. Plastic plug	1	10888	10888	10888	10888	10888
11. Washer BRB 10,5x20x2 nylon	1	-	-	-	-	-
12. Crank GN 471B	1	-	-	-	-	-
13. Pad	2	10125	10125	10125	-	11785
14. Fitting movable	1	10379	10379	10379	10379	10379
15. Adjustable lock lever GN300 S63-8	1	-	-	-	-	-
16. Clamp fitting	1	10386	10624	11479	10624	10386
17. Set screw PSS M8x10 nylon	2	-	-	-	-	-
18. Screw MF6S M4x16 A2	12	-	-	-	-	-
19. Pad	1	10441	10441	10441	-	10441
20. Set screw MSK6SS M6x8	1	-	-	-	-	-
21. Washer	1	10003	10003	10003	10003	10003
22. Screw MF6S M5x16 A2	1	-	-	-	-	-
23. Plastic plug IKPT 85,5 S	1	-	-	-	-	-

Technical specification

Maximum workload 40 kg, corresponding to a patient weight of 215 kg, according to EN 60601-1 and EN 60601-2

Material arthroscopy support Stainless steel

Version	UDI-DI	Weight	Dimension (H x W x L)
10-353	07350111831431	4,3 kg	265 x 130 x 465 mm
10-353-18	07350111831448	4,3 kg	265 x 130 x 465 mm
10-353-18-B	07350111831455	4,3 kg	265 x 130 x 465 mm
10-353-US	07350111831462	4,3 kg	265 x 130 x 465 mm
10-353-XL	07350111831479	4,5 kg	340 x 130 x 465 mm



Reison Medical AB

Eriksbergsvägen 32A

734 92 Hallstahammar

SWEDEN

+46 (0)220 433 99 | order@reison.se | info@reison.se