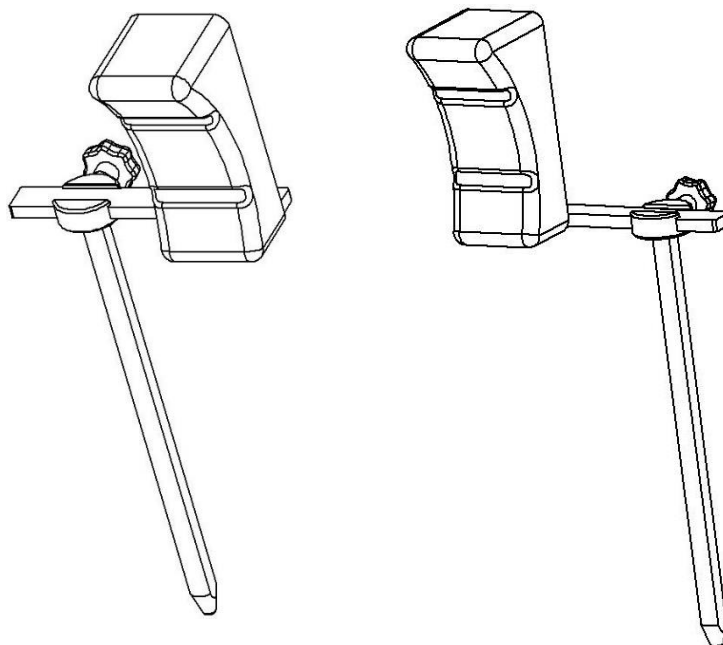


Shoulder support 10-350 including versions



Version	Description
10-350	Including curved and flat pad
10-350-BER	Including flat pad
10-350-BER-PREM	Including curved pad



Warning! This symbol indicates important information related to safety. Follow these instructions carefully.



Read User Manual before use! It is important to fully understand the content of the user manual before attempting to use the equipment.

CE

2020-10-30

Document number: M10-350EN rev.01

Intended use

Shoulder support for support and positioning of patient at the shoulders when e.g. the table is set in the Trendelenburg position during surgery. The product is to be used by medical professionals within a medical facility.



Safety regulation

Maximum load: 40 kg, corresponding to a patient weight of 300 kg, according to EN 60601-1 and EN 60601-2.

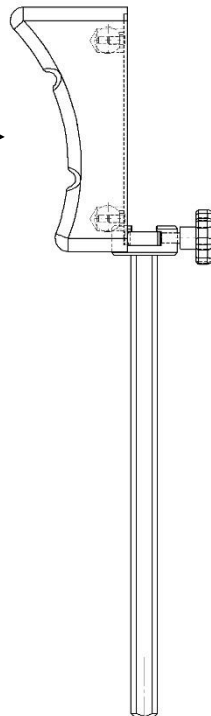
Before use, ensure correct function!

When loosening the lock lever to adjust the height, support underneath, to prevent the shoulder support from uncontrolled descend into the bottom position.

Service and preventive maintenance shall be performed by authorized personnel.

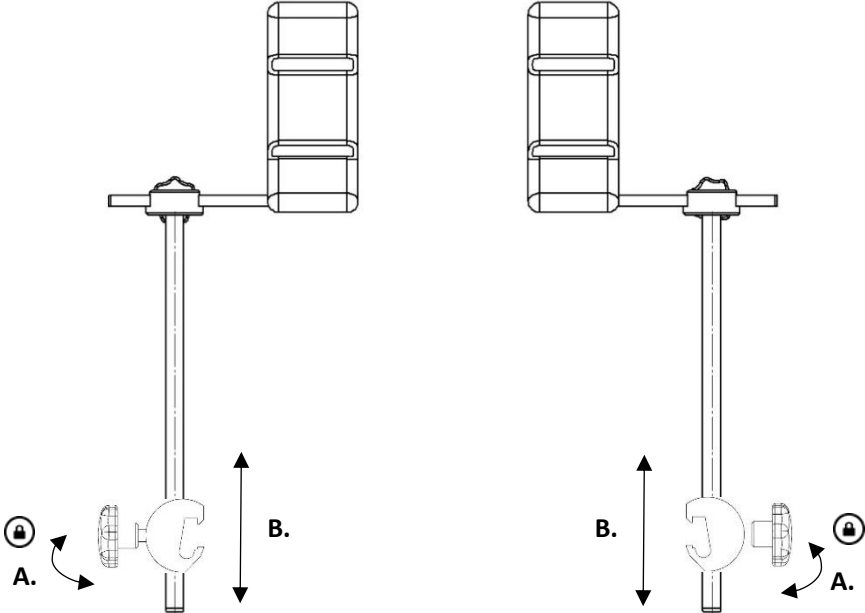


MAX 40 kg (MAX 300 kg )

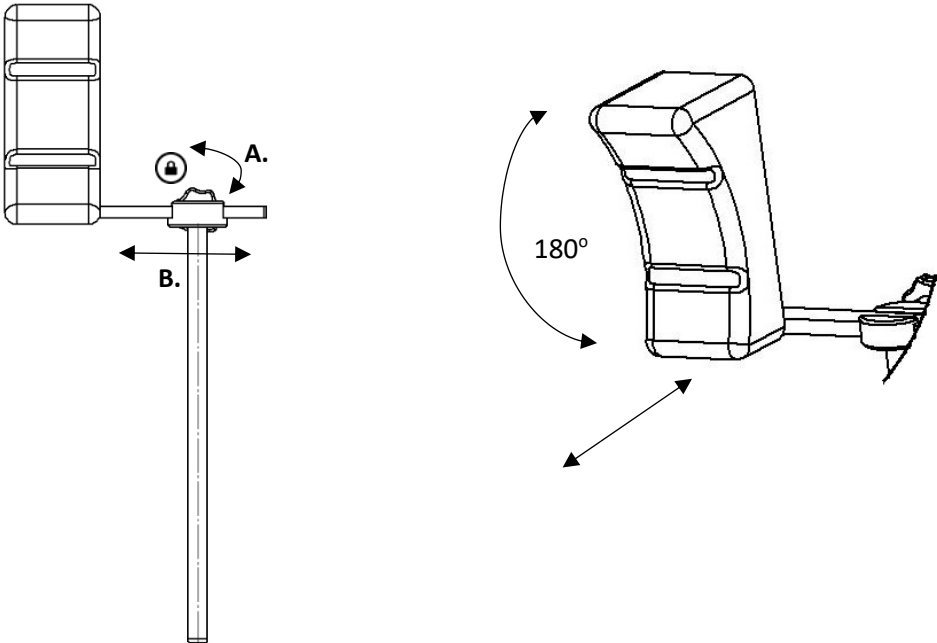


User instruction

Installation



Position adjustment



Maintenance



Service, preventive maintenance, adjustment and repair shall be performed by authorized personnel only. Altering the construction without a written consent from the manufacturer, is strictly forbidden.

Cleaning

Clean with antiseptic detergent with pH 6 – 8 and warm water. Ethanol can be used on metal surfaces. Wipe dry with soft cloth. Do not use strong acidic or alkaline detergent.

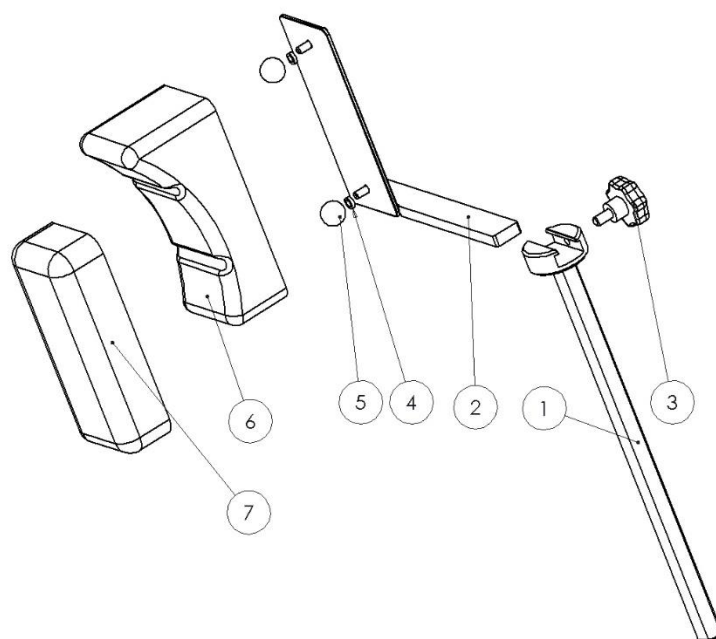
Control

Check that there are no loose parts and that there is no damage to any part. Check the lock function of the shoulder support. Check that the pad is clean and is not damaged.

Annual service

Once a year the shoulder support shall be carefully cleaned, moving parts shall be lubricated, the locking function shall be tested.

Spare parts



Description	Version:			
	10-350	10-350-BER	10-350-BER-PREM	
1. Post	Pcs 1	Article no. 10876	Article no. 10876	Article no. 10876
2. Fitting	1	Right: 10418 Left: 11135	Right: 10418 Left: 11135	Right: 10418 Left: 11135
3. Knob VCT.43-p M8x16 soft	4	-	-	-
4. Spacer 05-8-12-3	1	-	-	-
5. Ball	1	K20M6S	K20M6S	K20M6S
6. Pad curved	1	10737	-	10737
7. Pad flat	1	10894	10894	-

Technical specification

Maximum workload	40 kg, corresponding to a patient weight of 300 kg, according to EN 60601-1 and EN 60601-2
Weight	3,8 kg (pair)
Dimension (H x W)	385 x 230 mm
Lateral adjustment	90 mm
Material shoulder support	Stainless steel Polyurethane

Version	UDI-DI
10-350	07350111831400
10-350-BER	07350111831417
10-350-BER-PREM	07350111831424



Reison Medical AB

Eriksbergsvägen 32A

734 92 Hallstahammar

SWEDEN

+46 (0)220 433 99 | order@reison.se | info@reison.se