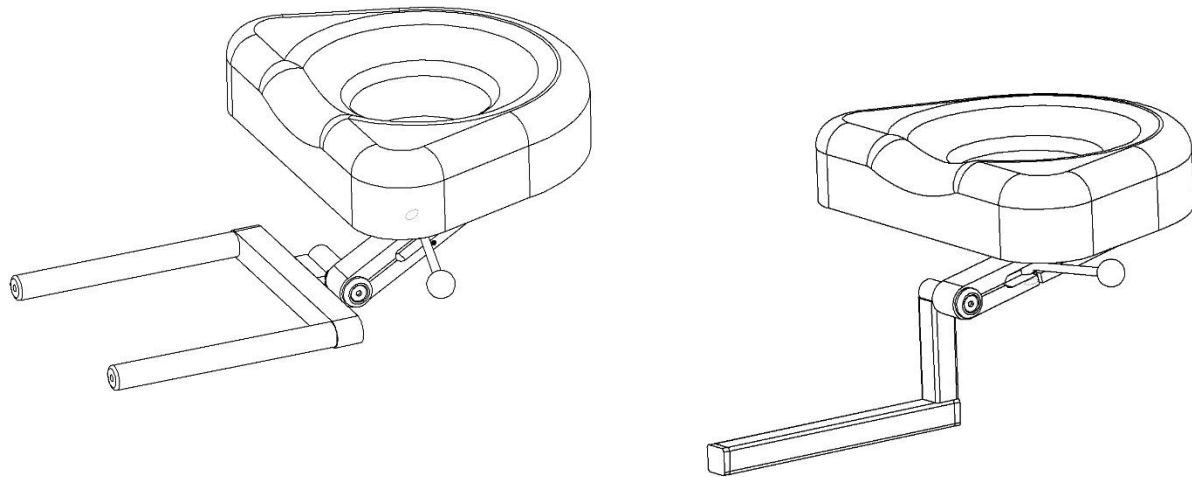


Head rest 10-230 including versions



Version

10-230	10-230-B 10-230-PED	10-230-F	10-230-NO	10-230-Steris	10-230-T
C-C: 106 mm Ø: 15 mm Length: 170 mm	C-C: 171,5 mm Ø: 18 mm Length: 170 mm	C-C: 106 mm Ø: 15 mm Length: 120 mm	C-C: 140 mm Ø: 15 mm Length: 170 mm	C-C: 171,5 mm Ø: 18 mm Length: 170 mm	Pole: 20x20mm Length: 180 mm



Warning! This symbol indicates important information related to safety. Follow these instructions carefully.



Read User Manual before use! It is important to fully understand the content of the user manual before attempting to use the equipment.



2020-10-30

Document number: M10-230EN rev.01

Intended use

Head rest intended for support and positioning of patient head during e.g. ENT-surgery. The product is to be used by medical professionals within a medical facility.



Safety regulation

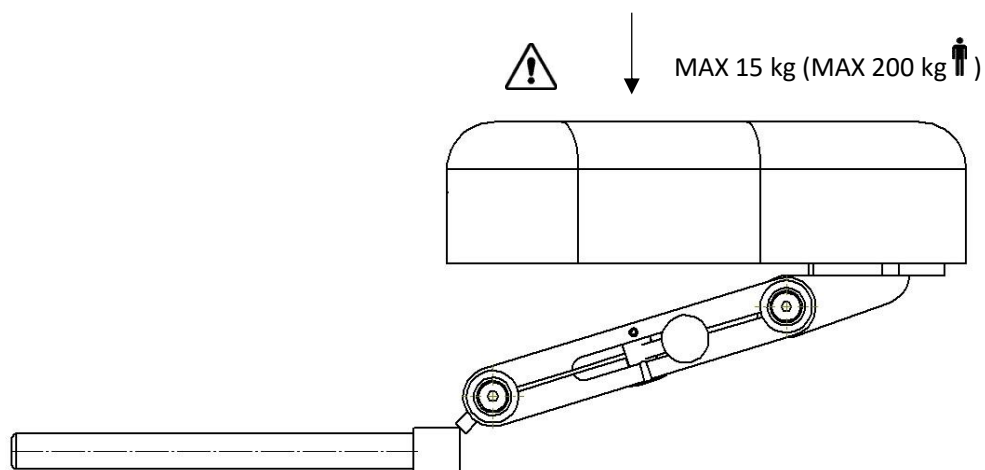
Maximum load: 15 kg in even distribution, corresponding to a patient weight of 200 kg, according to EN 60601-1 and EN 60601-2.

Before use, ensure correct function!

When loosening the lock lever to adjust the head rest, support underneath the head rest, to prevent it from uncontrolled descend into the bottom position!

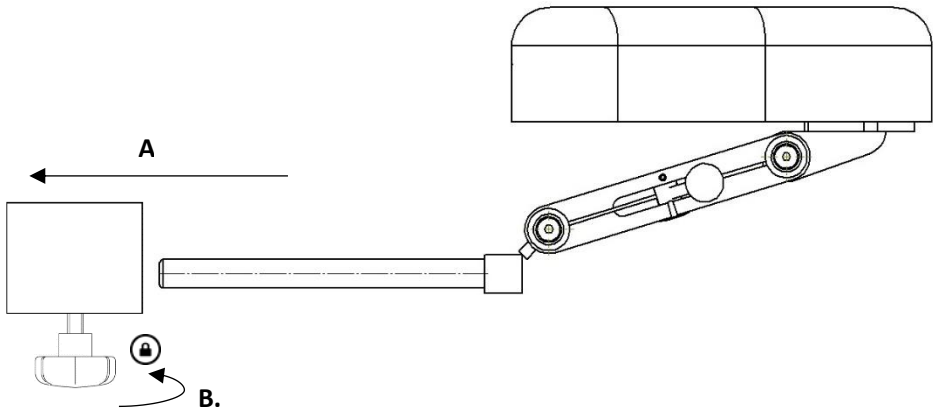
Remove the head rest or secure it over the operating table, during transport!

Service and preventive maintenance shall be performed by authorized personnel.

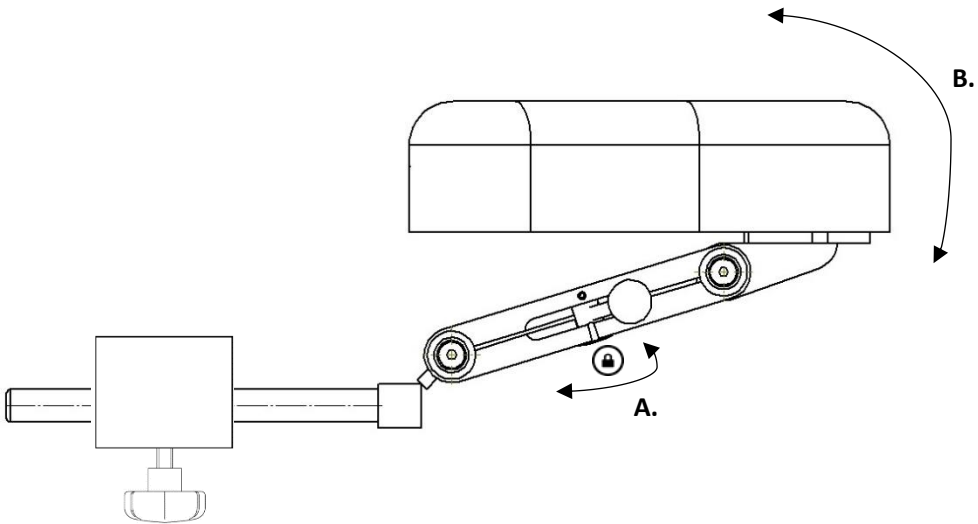


User instruction

Installation



Position adjustment

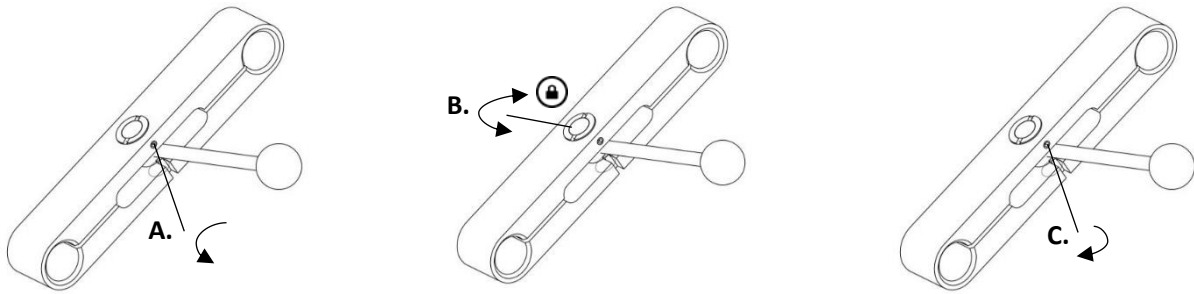


Maintenance



Service, preventive maintenance, adjustment and repair shall be performed by authorized personnel only. Altering the construction without a written consent from the manufacturer, is strictly forbidden.

Adjusting the lock mechanism



Tool: 2 mm hex key.

Cleaning

Clean with antiseptic detergent with pH 6 – 8 and warm water. Ethanol can be used on metal surfaces. Wipe dry with soft cloth. Do not use strong acidic or alkaline detergent.

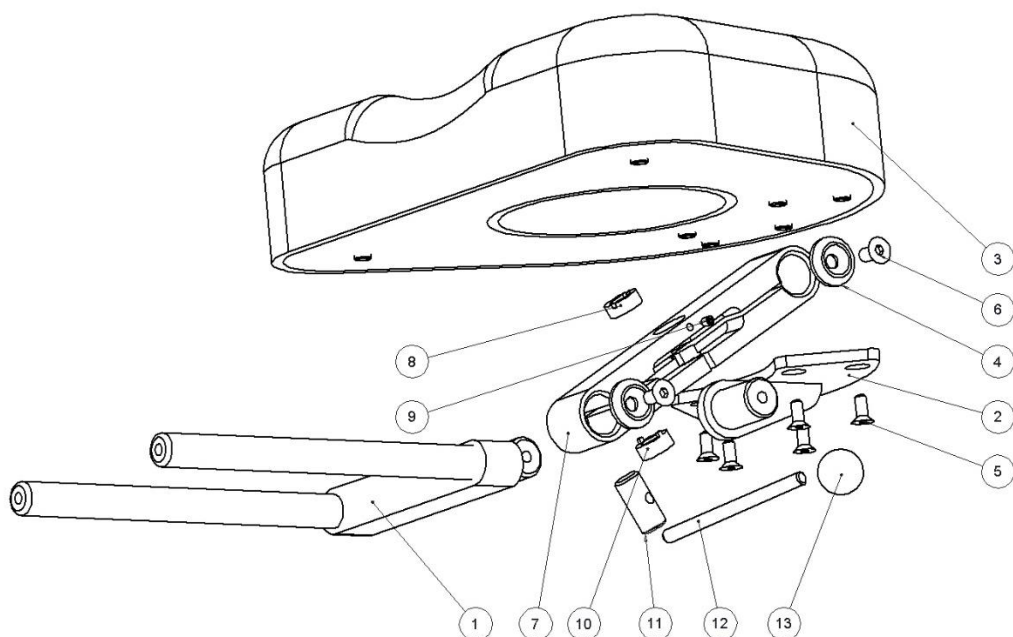
Control

Check that there are no loose parts and that there is no damage to any part. Check the lock function in the joint of the head rest. Check that the cushion is clean and is not damaged.

Annual service

Once a year the head rest shall be carefully cleaned, moving parts shall be lubricated, the locking function shall be tested and, if necessary, be adjusted.

Spare parts



	Version:	10-230	10-230-PED	10-230-B	10-230-F	10-230-NO	10-230-Steris	10-230-T
Description	Pcs	Article no.	Article no.	Article no.	Article no.	Article no.	Article no.	Article no.
1. Head rest holder	1	10394	11391	11391	10934	10580	11391	12008
2. Cushion holder	1	10311	10311	10311	10311	10311	10311	10311
3. Cushion	1	10662	10662-PED	10662	10662	10662	10662	10662
4. Washer	2	10004	10004	10004	10004	10004	10004	10004
5. Screw MF6S M5x12 A2	5	-	-	-	-	-	-	-
6. Screw MF6S M6x12 A2	2	-	-	-	-	-	-	-
7. Pivot holder	1	10300	10300	10300	10300	10300	10300	10300
8. Adjustment nut	1	10301	10301	10301	10301	10301	10301	10301
9. Set screw MSK6SS M4x5 A2	1	-	-	-	-	-	-	-
10. Nut left threaded	1	10302	10302	10302	10302	10302	10302	10302
11. Locking screw	1	10303	10303	10303	10303	10303	11405	10303
12. Lever	1	10304	10304	10304	10304	10304	10304	10304
13. Ball	1	K20M6S	K20M6S	K20M6S	K20M6S	K20M6S	K20M6S	K20M6S

Technical specification

Maximum work load	15 kg in even distribution, corresponding to a patient weight of 200 kg, according to EN 60601-1 and EN 60601-2
Material Head rest	Stainless steel Polyurethane
Storage and Transportation	Ambient conditions

Version	UDI-DI	Weight	Dimension (H x W x L)
10-230	07350111831103	2,8 kg	90-220 x 290 x 420 mm
10-230-B	07350111831110	2,8 kg	90-220 x 290 x 420 mm
10-230-F	07350111831127	2,8 kg	90-220 x 290 x 420 mm
10-230-NO	07350111831158	2,8 kg	90-220 x 290 x 420 mm
10-230-Steris	07350111831172	2,8 kg	90-220 x 290 x 420 mm
10-230-T	07350111831189	2,2 kg	90-220 x 290 x 420 mm
10-230-PED	07350111831165	2,8 kg	90-220 x 290 x 420 mm



Reison Medical AB
Eriksbergsvägen 32A
734 92 Hallstahammar
SWEDEN
+46 (0)220 433 99 | order@reison.se | info@reison.se